

# PARTS MANUAL

## 00. MAINTENANCE

### FILTERS KIT



FIGURE	REFERENCE	DENOMINATION	AMOUNT
001	KF.65100RE00	D 250/350/400/450 AHG-AHGA KIT FILTERS	1
001.1	DN000002	FUEL FILTER CARTRIDGE (400h)	1
001.2	MN000027	OIL FILTER, CARTRIDGE	1
001.3	MN000031	AIR FILTER ELEMENT	1
001.4	43.01214.00	FILTER ELEMENT 60X80X318 A	1
001.5	58.01810.00	HIDRAULIC CATRIDGE INTANK	1
001.6	60.20100.00	FILTER ELEMENT	1

## 02. ENGINE MOTOR

00 MOTOR DIESEL 36.5KW KUBOTA V2403-M-E3B  
DIESEL ENGINE KUBOTA 36.5KW V2403-M-E3B

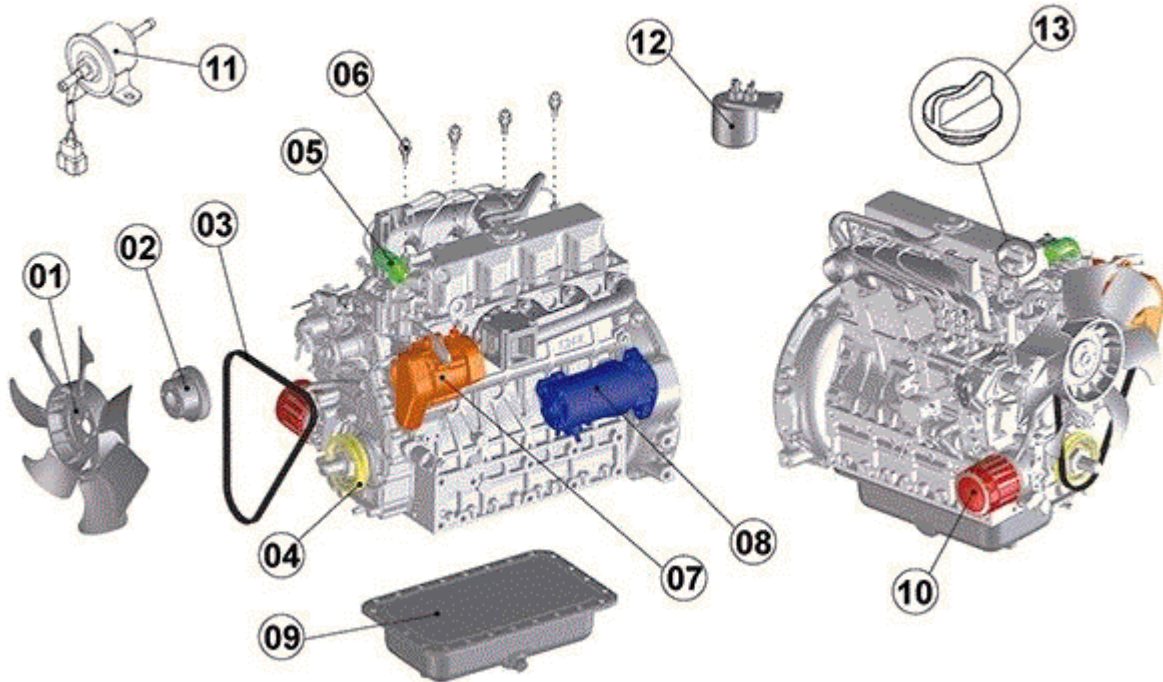


FIGURE	REFERENCE	DENOMINATION	AMOUNT
000	65.02160.01	DIESEL ENGINE KUBOTA 36.5KW V2403-M-E3B EPA	1
001	KU1580974112	FAN	1
002	KU1735174253	PULLEY, FAN	1
003	KU1G78097011	V-BELT	1
005	KU1669173260	COUVER THERMOSTAT	1
007	KU1712363016	STARTER	1
008	KU1907765513	GLOW PLUG	4
009	KU1A08574281	PULLEY, FAN DRIVE	1
010	KU1543401615	OIL PAN	1
011	KU1640464012	ALTERNATOR 50A	1
012	KURC60151351	FUEL ASSY PUMP	1
013	KURC60151351	FUEL ASSY PUMP	1
014	DN000002	FUEL FILTER CARTRIDGE (400h)	1
015	KU1642733140	PLUG, OIL FILLER	1
016	MN000027	OIL FILTER, CARTRIDGE	1

## 02. ENGINE PUMP COUPLING

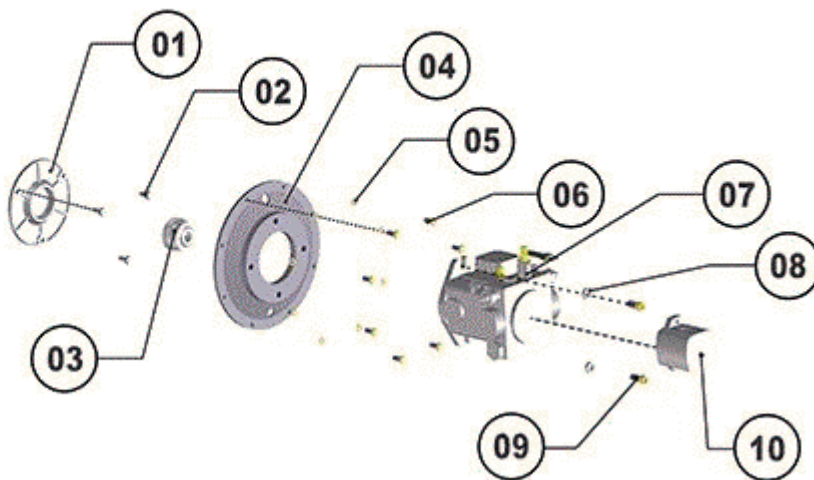
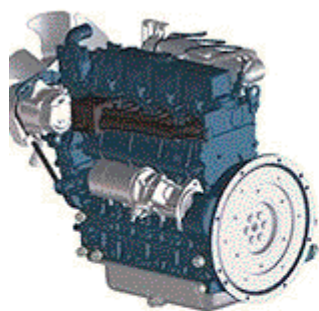


FIGURE	REFERENCE	DENOMINATION	AMOUNT
001	65.03214.01	ATTACHMENT CIL/DEN	1
002	617.10025.86	SCREW DIN960 M10X25X1.25	3
003	65.03216.01	ATTACHMENT DEN/DEN	1
004	65.03213.01	ATTACHMENT CIL/CIL	1
005	105.10000.66	WASHER DIN7980 D10	8
006	603.10025.86	SCREW DIN933 M10x25	8
007	65.03215.00	PUMP 40x181x24,6 A4VG, HYDROSTATIC	1
008	65.03217.00	WASHER 16x7x26	2
009	601.14030.86	SCREW DIN912	2
010	65.10113.00	HYDRAULIC PUMP 12 CC SAE9	1

## 02. ENGINE EXHAUST PIPE

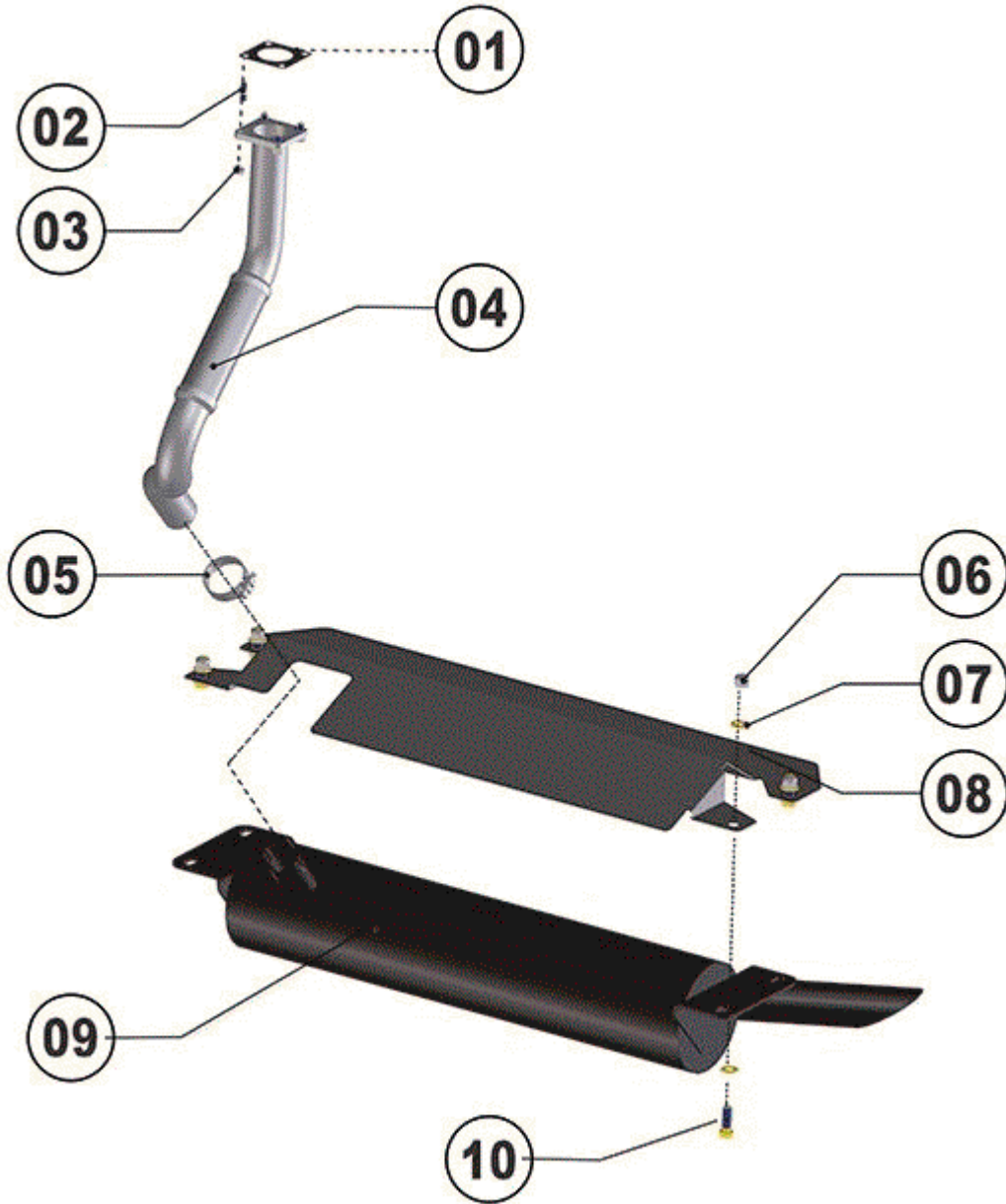


FIGURE	REFERENCE	DENOMINATION	AMOUNT
001	KU1732612231	O-RING	1
002	65.02217.00	STUD M8x24	4
003	725.08000.30	NUT DIN934 M8x1,25x12	4
004	65.02222.00	EXHAUST MANIFOLD	1
005	935.51055.66	CLAMP (CH 250)	1
006	711.12000.86	NUT DIN982 M12 C8	4
007	101.12000.66	WASHER DIN125 D12	8
008	65.02023.00	EXHAUST PAD	1
009	63.02151.00	MUFFLER 1022X228X462	1
010	604.12035.86	SCREW DIN931 M12x35	4

## 02. ENGINE

### AIR FILTER

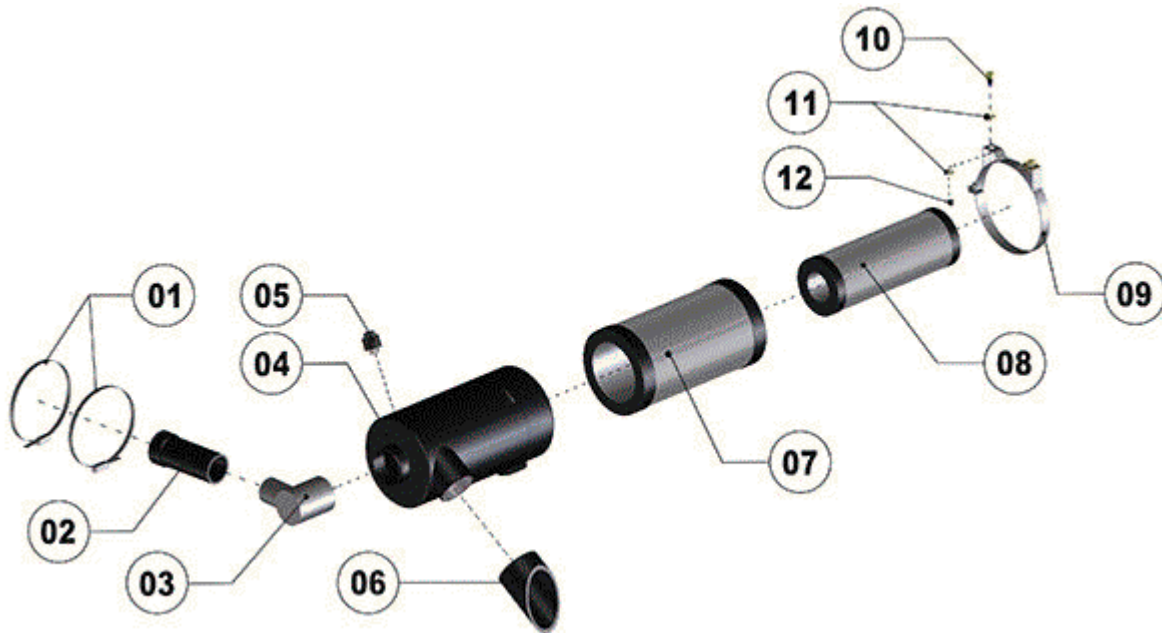


FIGURE	REFERENCE	DENOMINATION	AMOUNT
001	912.70090.66	CLAMP D70-90	2
002	65.02303.00	RUBBER HOSE B/P 50x56x148	1
003	20.02024.00	TUBE MET.	1
004	43.01210.00	AIR FILTER	1
005	43.50119.00	AIR FILTER INDICATOR	1
006	65.02301.01	RUBBER HOSE B/P 76x151	1
007	43.01213.00	FILTER ELEMENT 8X140X320 A	1
008	43.01214.00	FILTER ELEMENT 60X80X318 A	1
009	43.01211.00	CLAMP	1
010	603.08020.86	SCREW DIN933 M8x20	2
011	101.08000.66	WASHER DIN125 D8	4
012	711.08000.66	NUT DIN982 M8	2

## 02. ENGINE ACCELERATOR CABLE

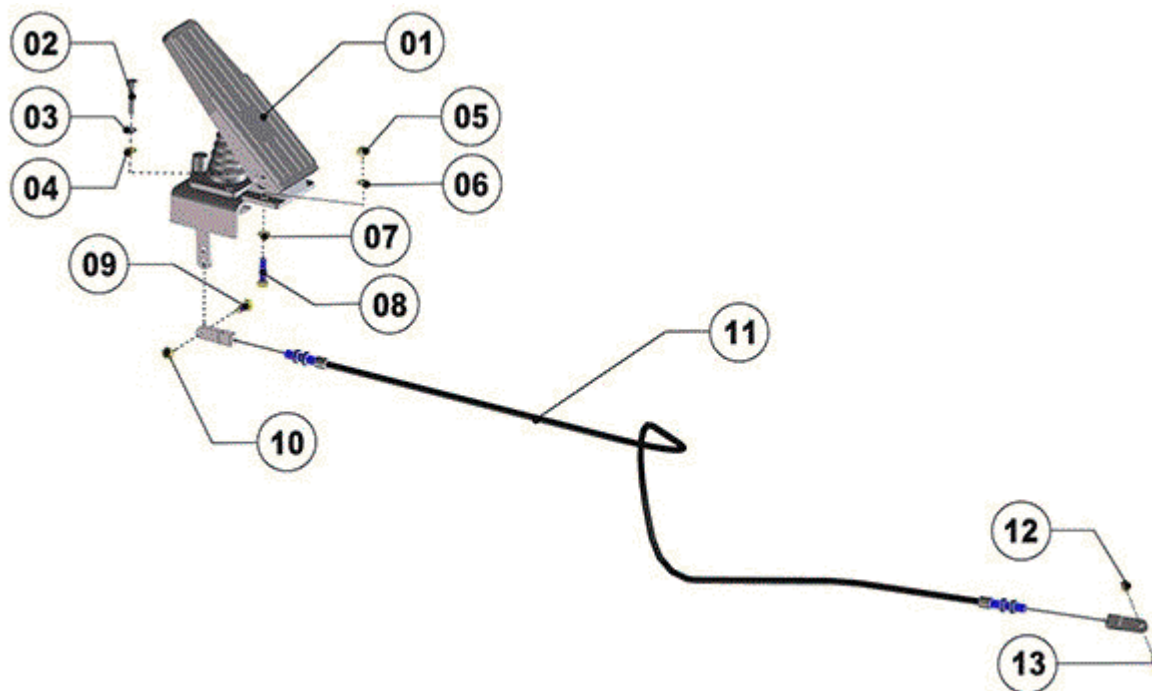


FIGURE	REFERENCE	DENOMINATION	AMOUNT
001	43.70127.00	ACCEL. PEDAL	1
002	603.06030.86	SCREW DIN933 M6x30	2
003	105.06000.66	CIR-CLIP DIN7980	2
004	101.06000.66	WASHER DIN125 D6	2
004	101.06000.66	WASHER DIN125 D6	2
005	720.06000.66	NUT	2
007	101.06000.66	WASHER DIN125 D6	2
008	603.06025.86	SCREW DIN933 M6x25	2
009	603.06015.86	SCREW DIN933 M6x15	1
010	720.06000.66	NUT	1
011	65.02411.00	ACCELERATOR CABLE 2x1600	1
012	711.06000.66	NUT DIN982 M6	1
013	603.06020.86	SCREW DIN933 M6x20	1



## 02. ENGINE FUEL TANK

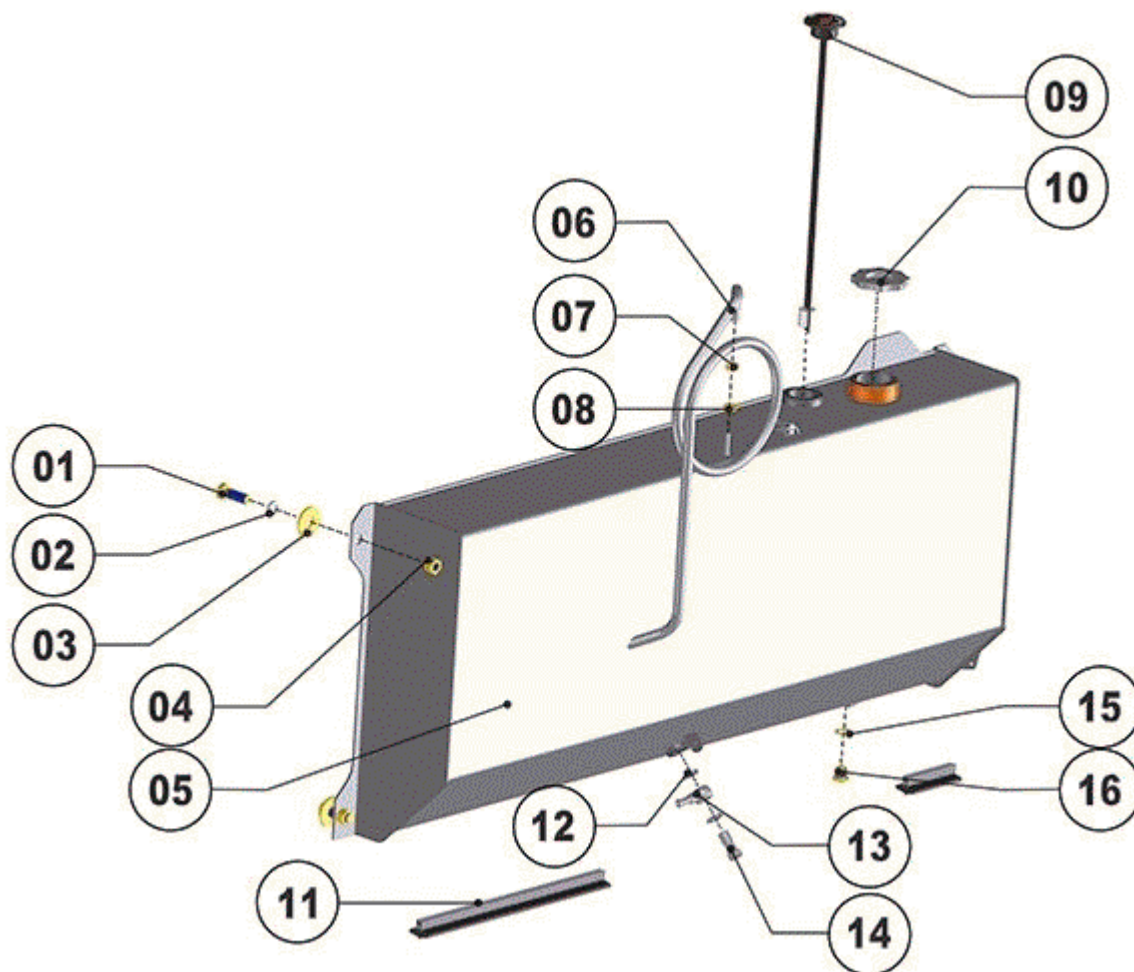


FIGURE	REFERENCE	DENOMINATION	AMOUNT
001	604.12035.86	SCREW DIN931 M12x35	4
002	105.12000.66	WASHER DIN7980 D12	4
003	112.12000.66	WASHER DIN9021 D 12X36	4
004	701.12000.66	NUT DIN934 M12x1.75	4
005	65.02111.00	FUEL TANK	1
006	469.03014.00	HOSE L/P MAT. 8x14	1
007	948.01308.00	SPRING CLAMP Ø13	1
008	701.10000.66	NUT DIN934 M10x1.5	1
009	65.02412.00	LEVEL, NEEDLE FUEL	1
010	15.01524.00	TANK CAP	1
011	472.00412.00	PROFILE RUBBER MATERIAL	1
012	28.00341.00	METALLIC GASKET BUNA D1/4	2
013	45.04106.00	NIPPLE O/TB	1
014	28.00340.00	SIMPLE SCREW FITTING 1/4 Gx26	1
015	107.14000.10	WASHER AL 14x20x1.5	1
016	10.00921.00	CAP M14X150 DIN908	1



## 02. ENGINE RADIATOR

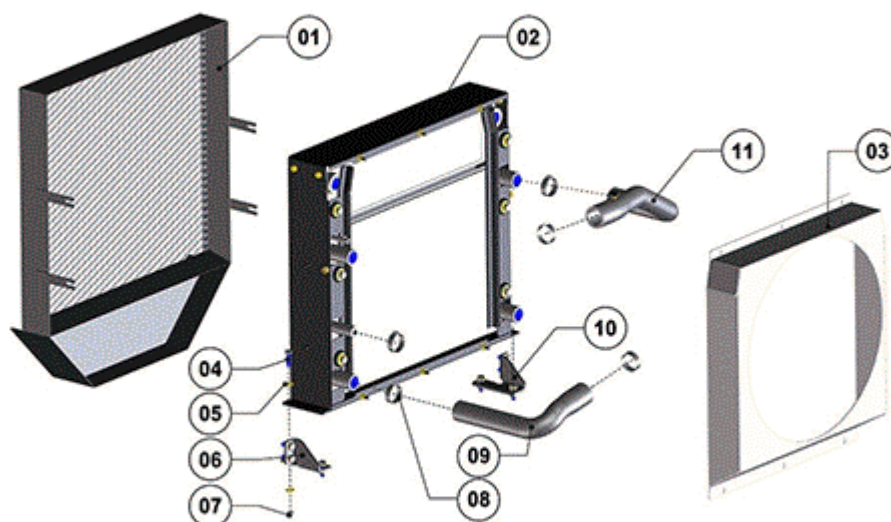


FIGURE	REFERENCE	DENOMINATION	AMOUNT
001	65.02518.01	RADIATOR PROTECTOR	1
002	20.02051.02	RADIATOR 152X500X590 WATER-OIL	1
003	20.02052.00	GUARD RADIATOR	1
004	603.08025.86	SCREW DIN933 M8x25	4
005	101.08000.66	WASHER DIN125 D8	8
006	65.02516.00	SUPPORT 110x60x58	1
007	711.08000.66	NUT DIN982 M8	4
008	912.32050.66	CLAMP DIN3017	5
009	20.02057.00	HOSE RUBBER B/P (CH 250)	1
010	65.02515.00	SUPPORT 110x60x58	1
011	20.02056.00	HOSE RUBBER B/P	1

## 02. ENGINE

### RADIATOR

CHASSIS: 82265

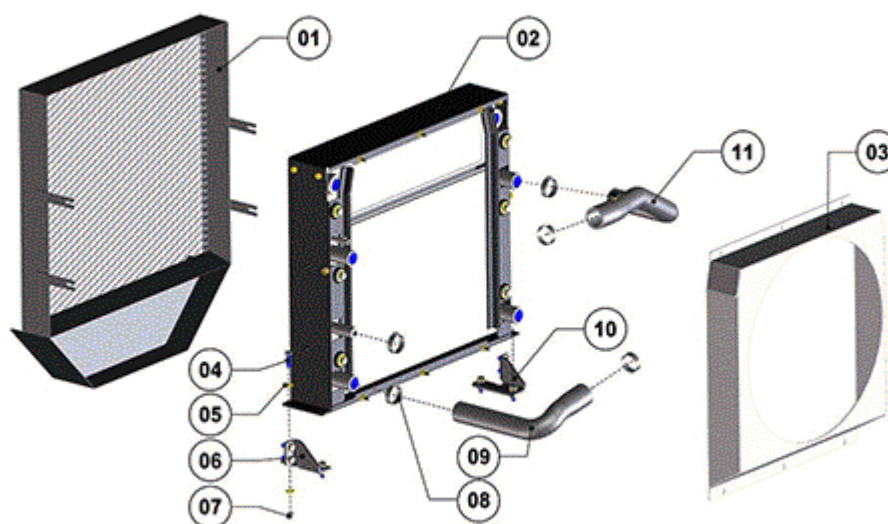


FIGURE	REFERENCE	DENOMINATION	AMOUNT
001	65.02518.02	RADIATOR PROTECTOR	1
002	20.02051.02	RADIATOR 152X500X590 WATER-OIL	1
003	65.02520.00	RADIATOR PROTECTOR	1
004	603.08025.86	SCREW DIN933 M8x25	4
005	101.08000.66	WASHER DIN125 D8	8
006	65.02516.01	SUPPORT	1
007	711.08000.66	NUT DIN982 M8	4
008	912.32050.66	CLAMP DIN3017	5
009	65.02521.00	HOSE	1
010	65.02515.01	SUPPORT	1
011	65.02522.00	RUBBER TUBE B/P D30XD34	1

## 02. ENGINE EXPANSION TANK

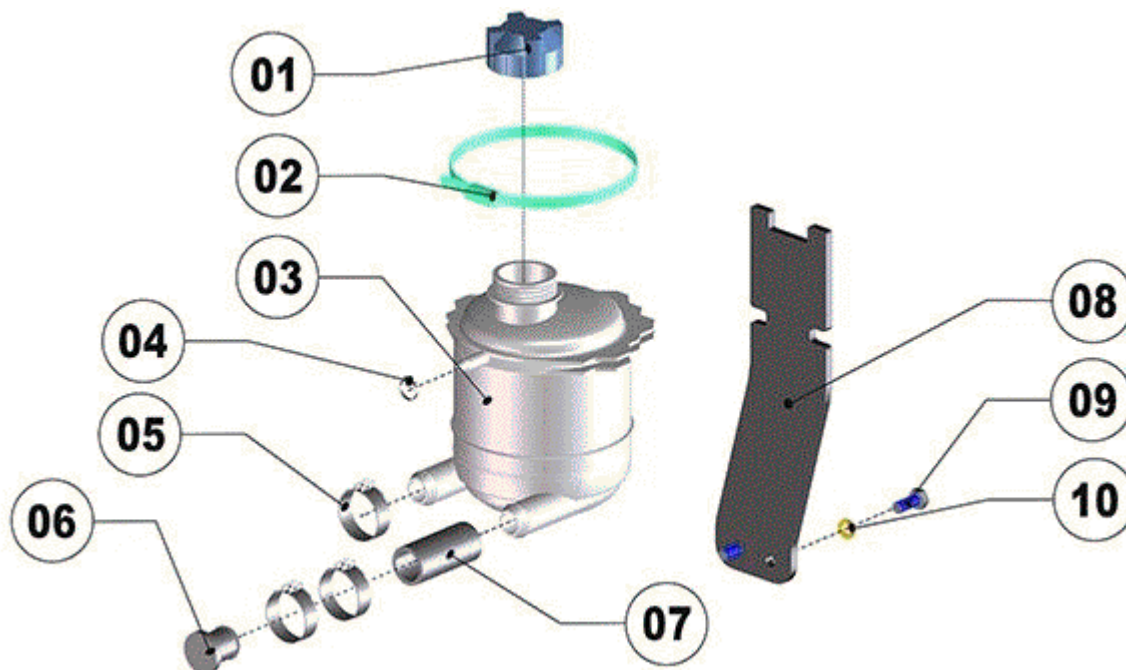


FIGURE	REFERENCE	DENOMINATION	AMOUNT
001	09.00172.00	CAP	1
002	912.12140.66	CLAMP	1
003	09.00171.00	EXPANSION TANK C / PLUG	1
004	912.08016.66	CLAMP DIN3017	1
005	912.20032.66	CLAMP	3
006	09.00246.01	CAP	1
007	09.00246.01	CAP	1
008	65.02512.00	SUPPORT 227x117x108	1
009	603.08020.86	SCREW DIN933 M8x20	2
010	105.08000.66	CIR-CLIP EXT. DIN7980 D8	2

## 02. ENGINE ENGINE SUPPORTS

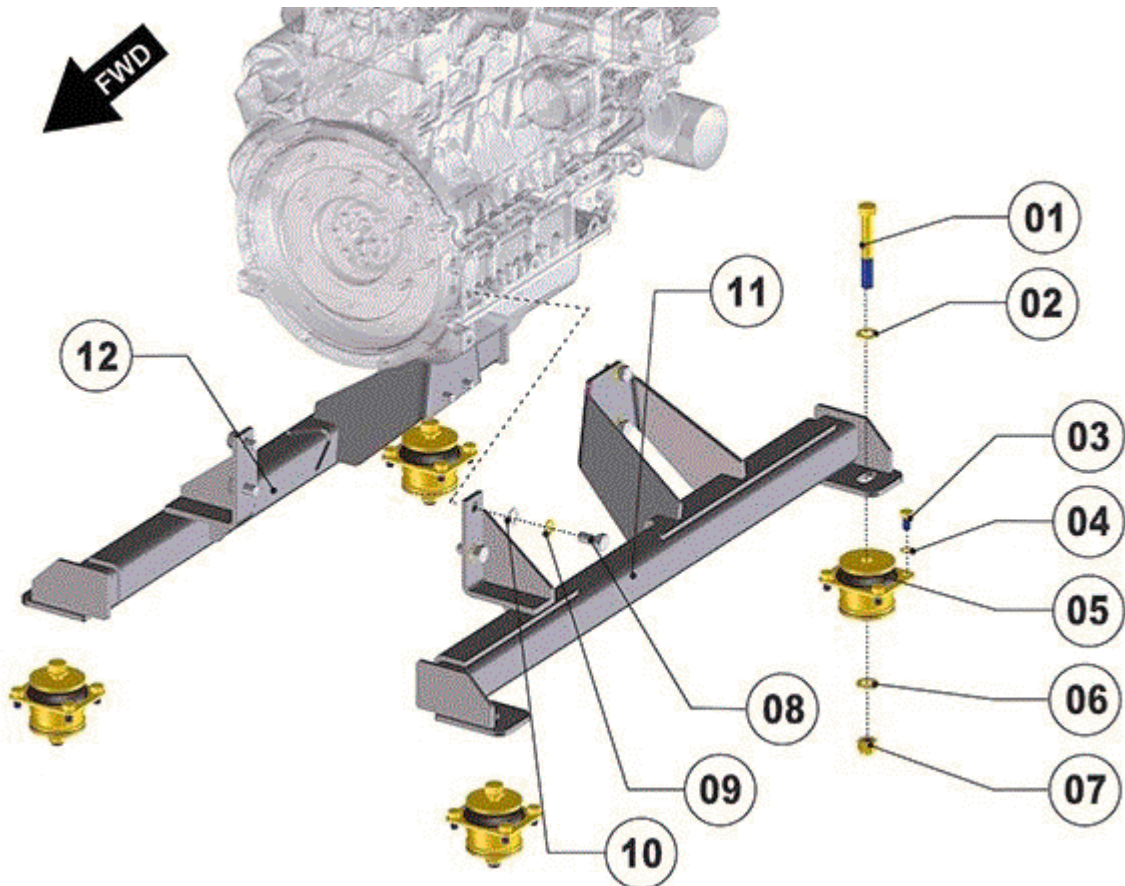


FIGURE	REFERENCE	DENOMINATION	AMOUNT
001	604.16110.86	SCREW DIN931 M16x110	4
002	101.16000.66	WASHER DIN125 D16	4
003	603.10020.86	SCREW DIN933 M10x20	12
004	105.10000.66	WASHER DIN7980 D10	12
005	64.02123.01	SHOCK ABSORBER	4
006	101.16000.66	WASHER DIN125 D16	4
007	711.16000.66	NUT DIN982 M16 8.8 K	4
008	617.14025.86	SCREW DIN931	10
009	105.14000.66	D14 WASHER DIN7980	10
010	101.14000.66	WASHER DIN125 D14	10
011	65.02123.01	SUPPORT 989x254x247, ENGINE	1
012	65.02122.01	SUPPORT 989x254x247, ENGINE	1

### 03. TRANSMISSION FRONT AXLE (1)

#### 00 PUENTE FIJO DELANTERO FIXED FRONT AXLE

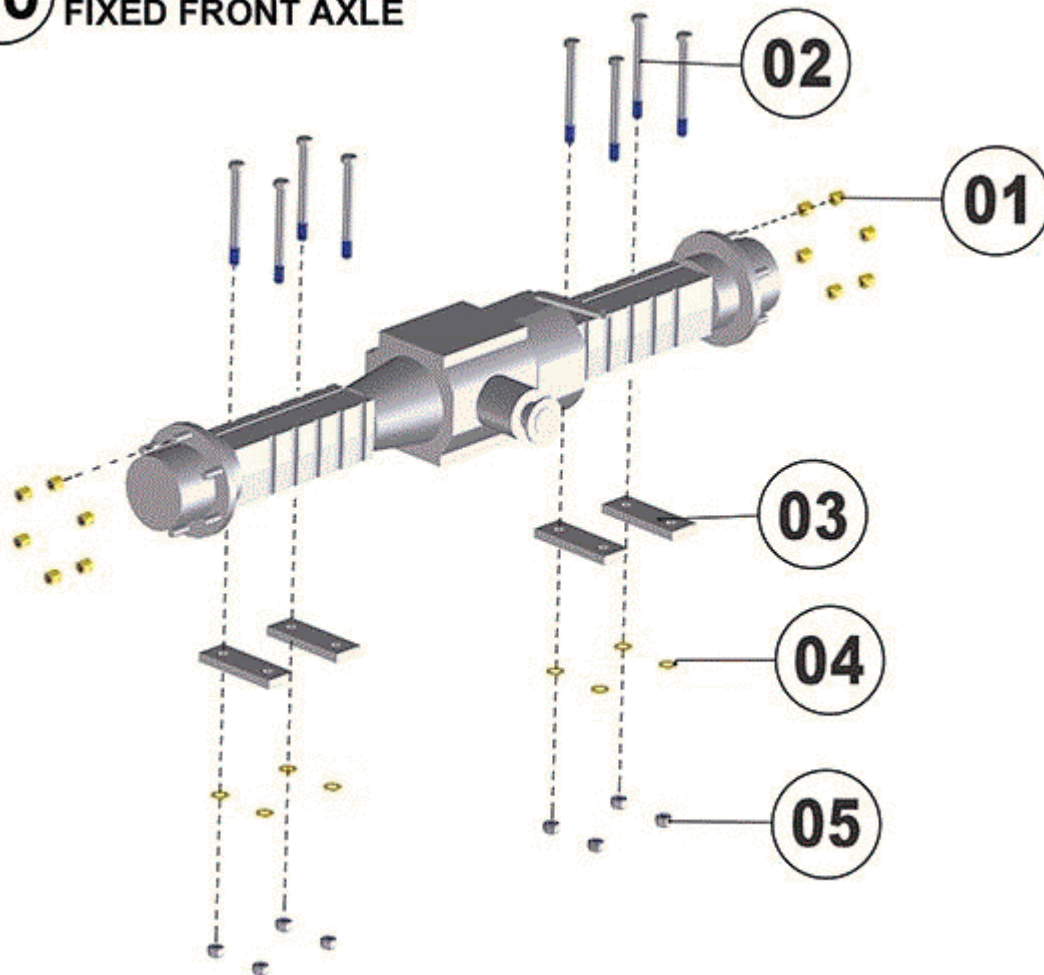


FIGURE	REFERENCE	DENOMINATION	AMOUNT
000	65.03316.00	AXLE, FRONT DANA	1
001	65.03314.00	NUT M18X2	12
002	604.20210.86	TORNILLO DIN931 M20x210	8
003	65.03318.00	STRIP 200x70x20	4
004	101.20000.66	WASHER DIN125	8
005	711.20000.66	NUT	8

### 03. TRANSMISSION FRONT AXLE (2)

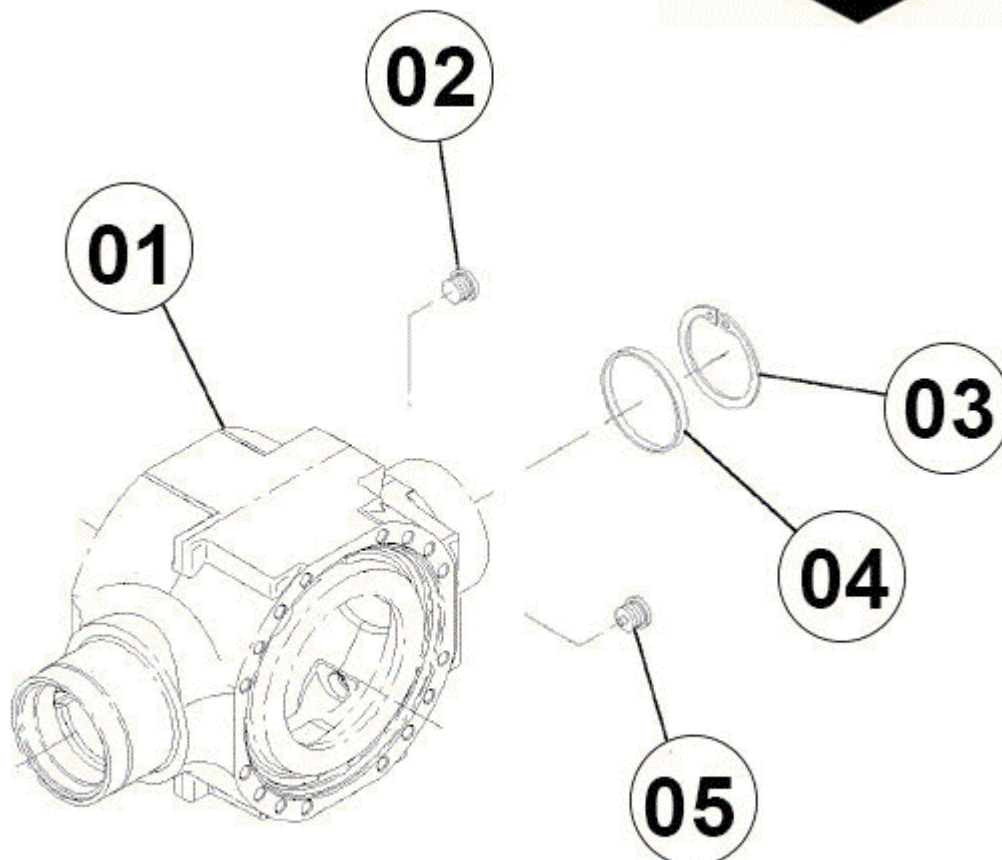


FIGURE	REFERENCE	DENOMINATION	AMOUNT
001	DA1110100301	HOUSING	1
002	DA3551461001	PLUG	1
003	DA002020088	CIRCLIP	1
004	DA1710101504	CAP	1
005	DA3551461102	TAPON ROTURA DOBLE	1



### 03. TRANSMISSION FRONT AXLE (3)

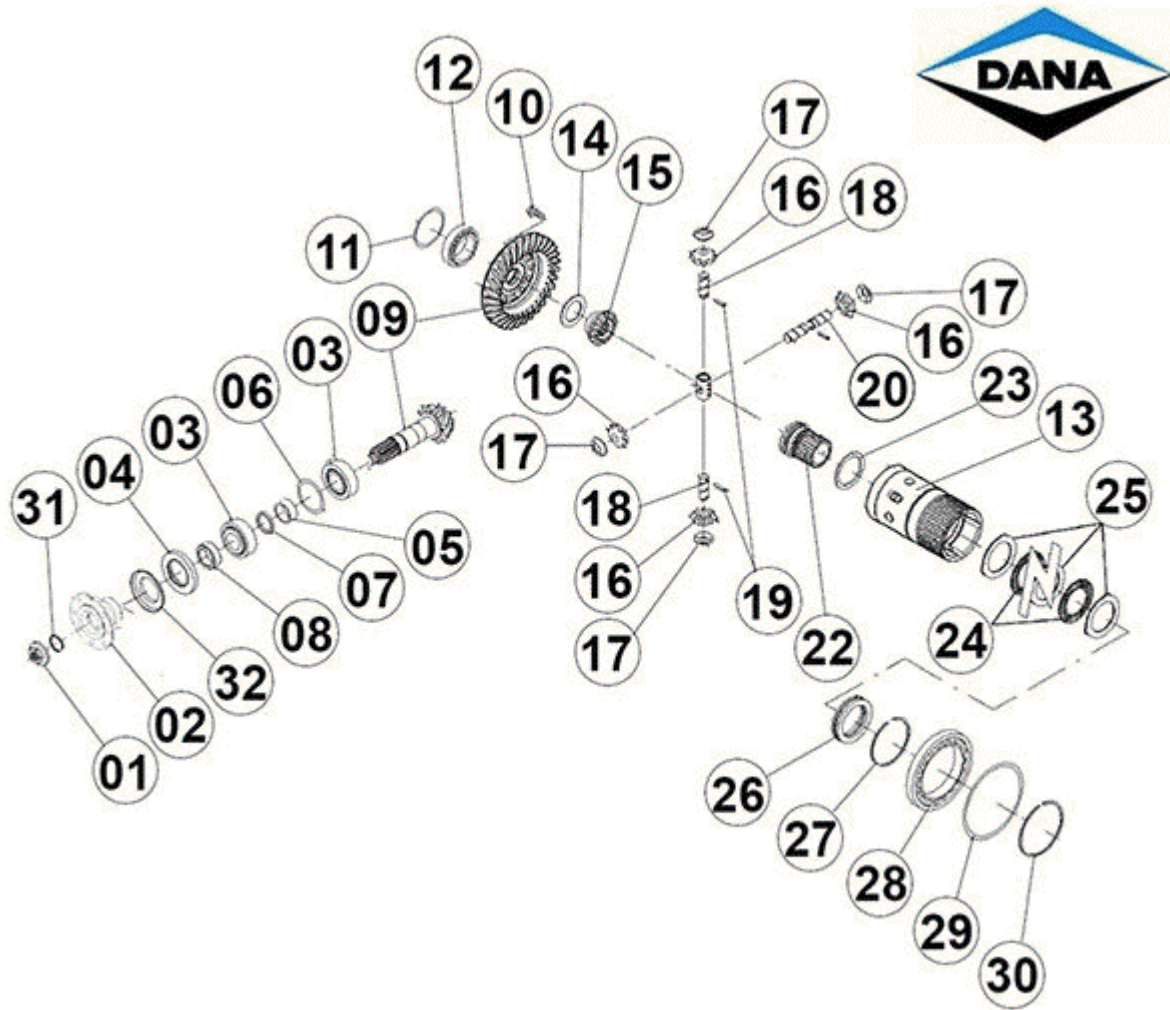


FIGURE	REFERENCE	DENOMINATION	AMOUNT
001	DA7460400801	NUT	1
002	DA5422200405	FLANGE	1
003	DA005092938	BEARING	2
004	DA001030730	O-RING	1
005	DA1110403801	SPACER	1
006	DA013011551	SHIM	1
007	DA3151401004	RING	1
008	DA1710401801	SPACER	1
009	DA1110450003	RING & PINION	1
010	DA016283658	BOLT	12
011	DA013011475	SHIM	1
011	DA013013288	SHIM	1
011	DA013013289	SHIM	1
011	DA013013290	SHIM	1
012	DA005090496	TAPER ROLLER BEARING	1
013	DA1110405601	DIFFERENTIAL CARRIER	1



014	DA1710401101	FRICION WASHER	1
015	DA1110405801	DIFFERENTIAL SIDE GEAR	1
016	DA1710400401	DIFFERENTIAL PINION	4
017	DA1710401201A	FRICION WASHER	4
018	DA1110403401	SHAFT	2
019	DA014033539	PIN	3
020	DA1110403301	SHAFT	1
021	DA1110403202	SHAFT RETAINER	1
022	DA1110402602	DIFFERENTIAL SIDE GEAR	1
023	DA1110406001	FRICION WASHER	1
024	DA1110404501	CLUTCH DISC	7
025	DA000727330	INTERMEDIATE CLUTCH DISC	8
026	DA005452335	BEARING	1
027	DA002063536	CIRCLIP	1
028	DA005103166	BUSH	1
029	DA000345621	SHIM	1
029	DA000345622	SHIM	1
029	DA000345623	SHIM	1
030	DA002053540	CIRCLIP	1
031	DA001050041	O-RING	1

### 03. TRANSMISSION

#### FRONT AXLE (3)

FIGURE	REFERENCE	DENOMINATION	AMOUNT
032	DA9530102501	COVERPLATE	1

### 03. TRANSMISSION FRONT AXLE (4)

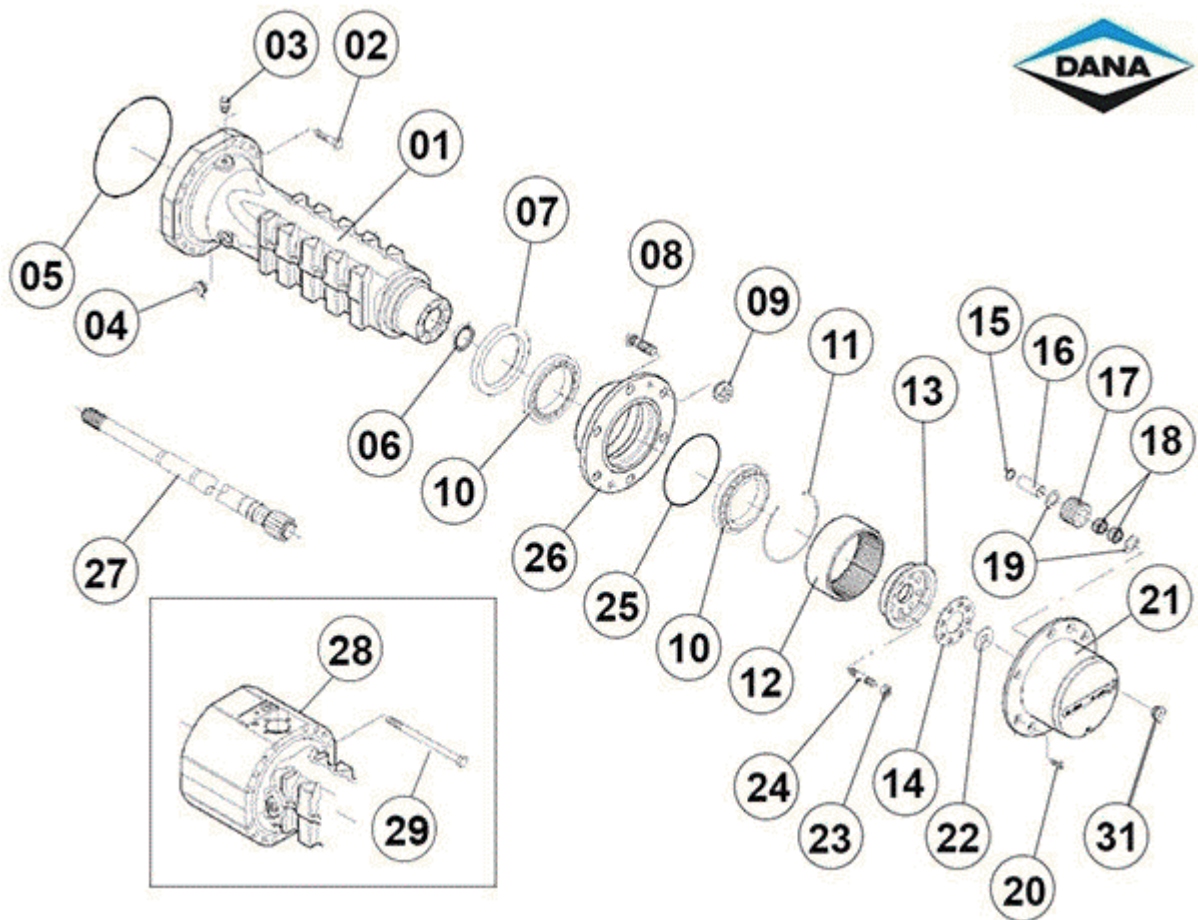


FIGURE	REFERENCE	DENOMINATION	AMOUNT
001	DA1110601202	AXLE CASE	2
002	DA016031317	BOLT	32
003	DA7020100301	VENT	1
004	DA3551461001	PLUG	4
005	DA001051037	O-RING	2
006	DA001011349	RING	2
007	DA001211393	O-RING	2
008	DA8190600606	BOLT, WHEEL	12
009	DA006080206	WHEEL NUT	12
010	DA005101380	BEARING	4
011	DA1110601901	CIRCLIP	2
012	DA1110601802	RING GEAR	2
013	DA1110602301	RING GEAR SUPPORT	2
014	DA1110600701	LOCKING PLATE	2
015	DA002021024	CIRCLIP	6
016	DA1110601601	SHAFT	6
017	DA1110601503	DIFFERENTIAL PINION	6

018	DA005130171	NEEDLE BEARING	12
019	DA1110601701	FRICTION WASHER	12
020	DA016062055	BOLT	4

### 03. TRANSMISSION FRONT AXLE (5)

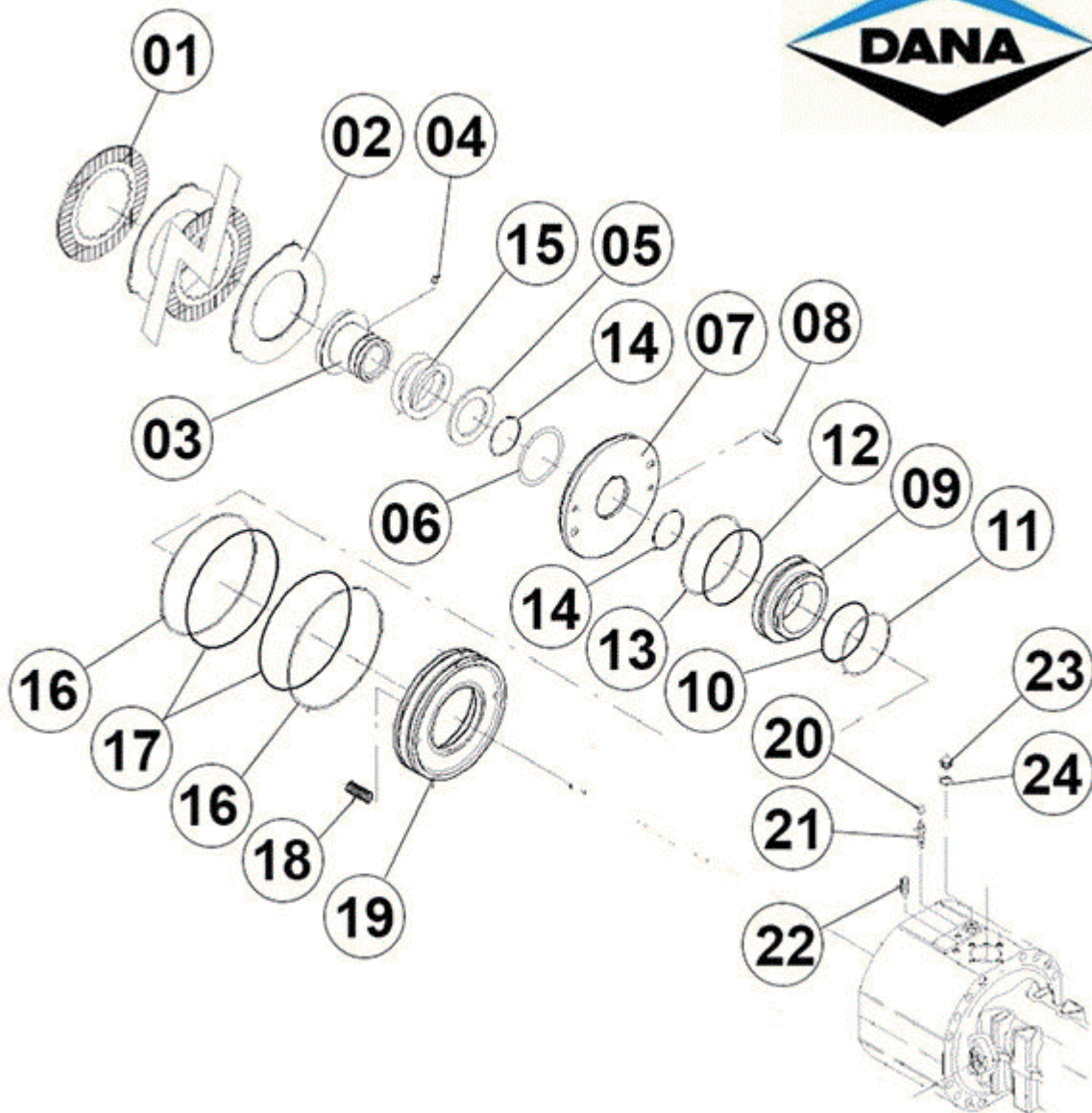


FIGURE	REFERENCE	DENOMINATION	AMOUNT
001	DA1120761102	BRAKE DISC	6
002	DA1110701503	INTERMEDIATE BRAKE DISC	6
003	DA1110403004	BUSHING	1
004	DA012010249	DETEND BALL	1
005	DA1110402902	SPACER	1
006	DA013013177	SHIM	2
007	DA1110702203	INTERMEDIATE BRAKE DISC	1
008	DA014033601	ROLL PIN	2
009	DA1110702002	PISTON	1
010	DA001050691	O-RING	1
011	DA1110701601	BACK-UP RING	1

012	DA7380710201	O-RING	1
013	DA7380710401	BACK-UP RING	1
014	DA002053599	CIRCLIP	2
015	DA1110403103	SPRING	1
016	DA1830700301	BACK-UP RING	2
017	DA001050808	O-RING	2
018	DA1710701002	SPRING	3
019	DA1110701403	PISTON	1
020	DA7340701501	CAP	1
021	DA7340701401	BOLT	1
022	DA016090451	GRUB BOLT	1
023	DA016101441	BOLT	1
024	DA011071215	O-RING	1

### 03. TRANSMISSION FRONT AXLE (6)

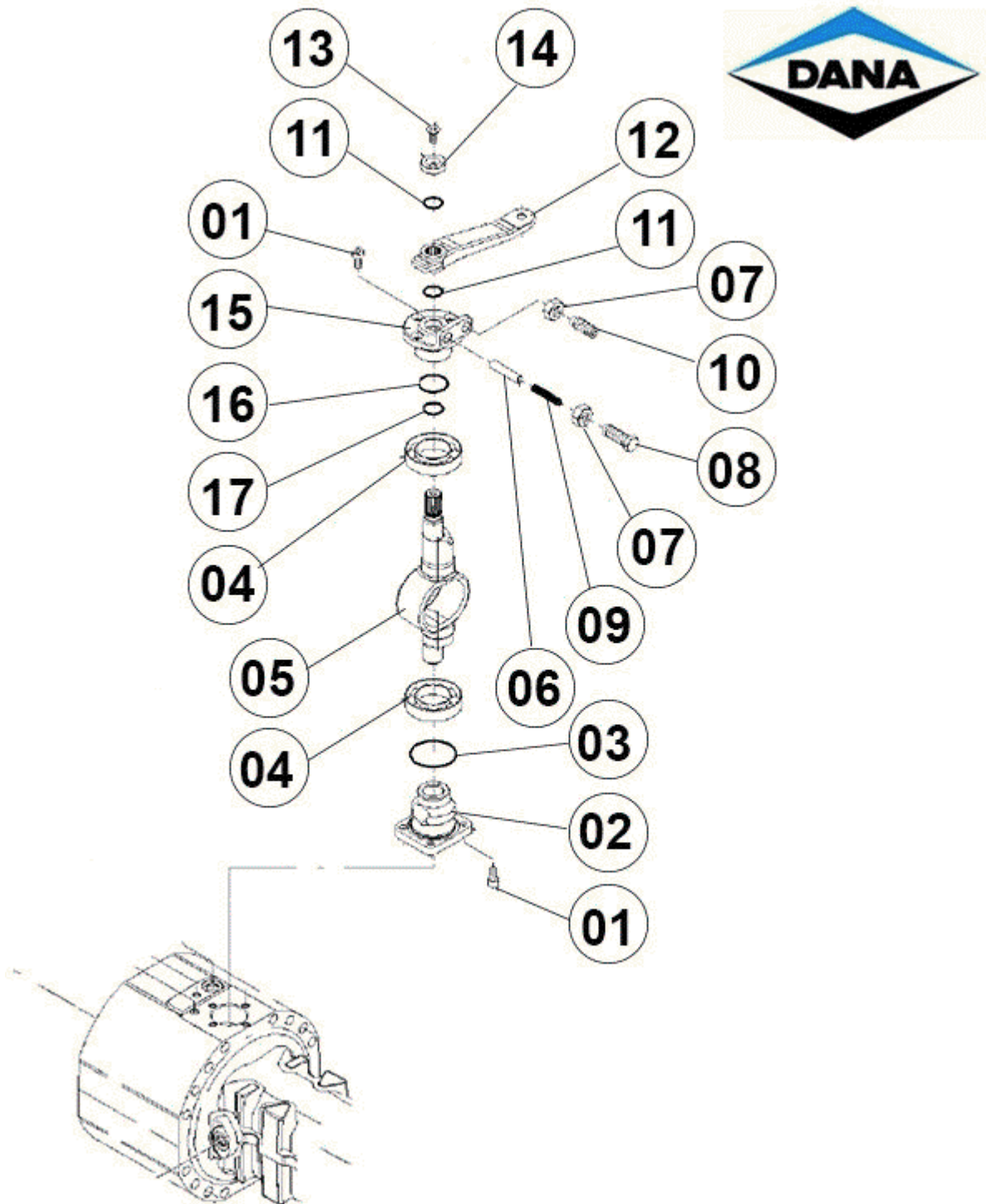


FIGURE	REFERENCE	DENOMINATION	AMOUNT
001	DA016040705	CYLINDER BOLT	7
002	DA1110702801	REDUCTION BUSHING	1
003	DA001051608	O-RING	1
004	DA005010116	BEARING	2
005	DA1110702701	BRAKE LEVER	1
007	DA006030198	NUT	1

010	DA016113234	BOLT	1
011	DA001051358	O-RING	1
012	DA7380702606	LEVER	1
013	DA016060439	COUNTERSUNK BOLT	1
014	DA1710700701	WASHER	1
015	DA1120701506	REDUCTION BUSHING	1
016	DA001051494	O-RING	1
017	DA001051588	O-RING	1



### 03. TRANSMISSION REAR AXLE (1)

**00** PUENTE FIJO TRASERO  
FIXED REAR AXLE

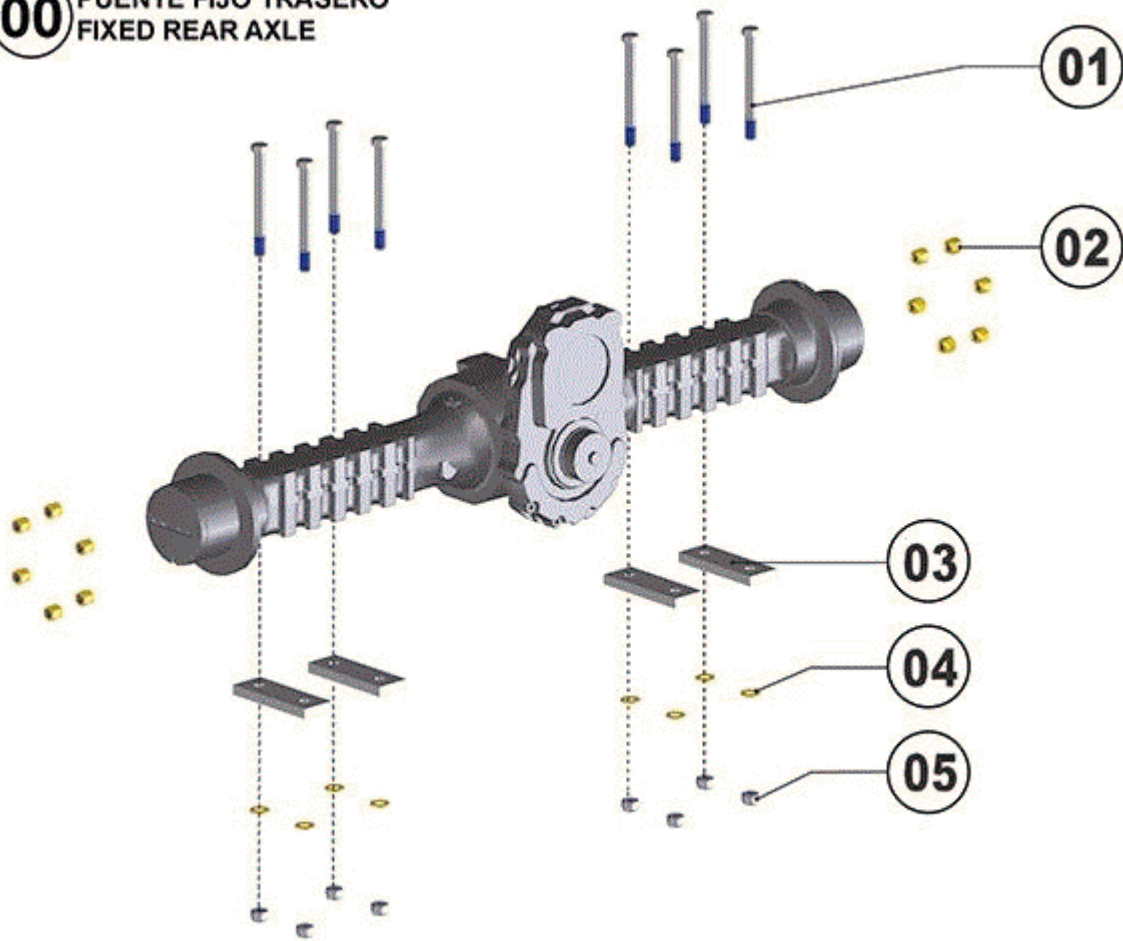


FIGURE	REFERENCE	DENOMINATION	AMOUNT
000	65.03317.00	REAR FIX AXL	1
001	604.20210.86	TORNILLO DIN931 M20x210	8
002	65.03314.00	NUT M18X2	12
003	65.03318.00	STRIP 200x70x20	4
004	101.20000.66	WASHER DIN125	8
005	711.20000.66	NUT	8

### 03. TRANSMISSION REAR AXLE (2)

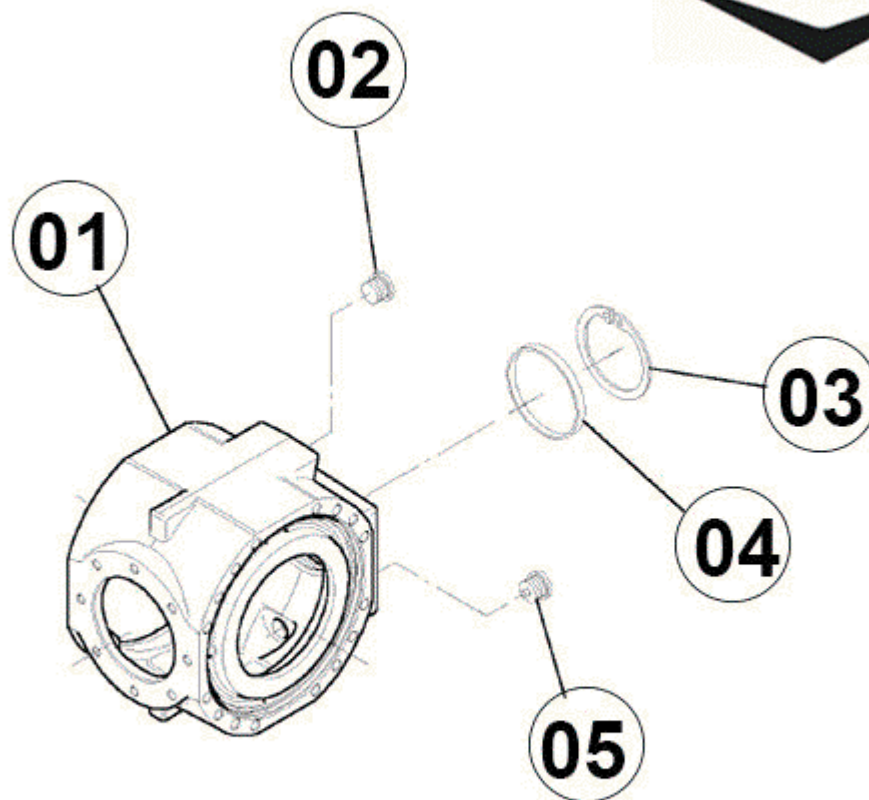


FIGURE	REFERENCE	DENOMINATION	AMOUNT
001	DA1110100102	HOUSING	1
002	DA3551461001	PLUG	1
003	DA002020088	CIRCLIP	1
004	DA1710101504	CAP	1
005	DA3551461102	TAPON ROTURA DOBLE	1

### 03. TRANSMISSION REAR AXLE (3)

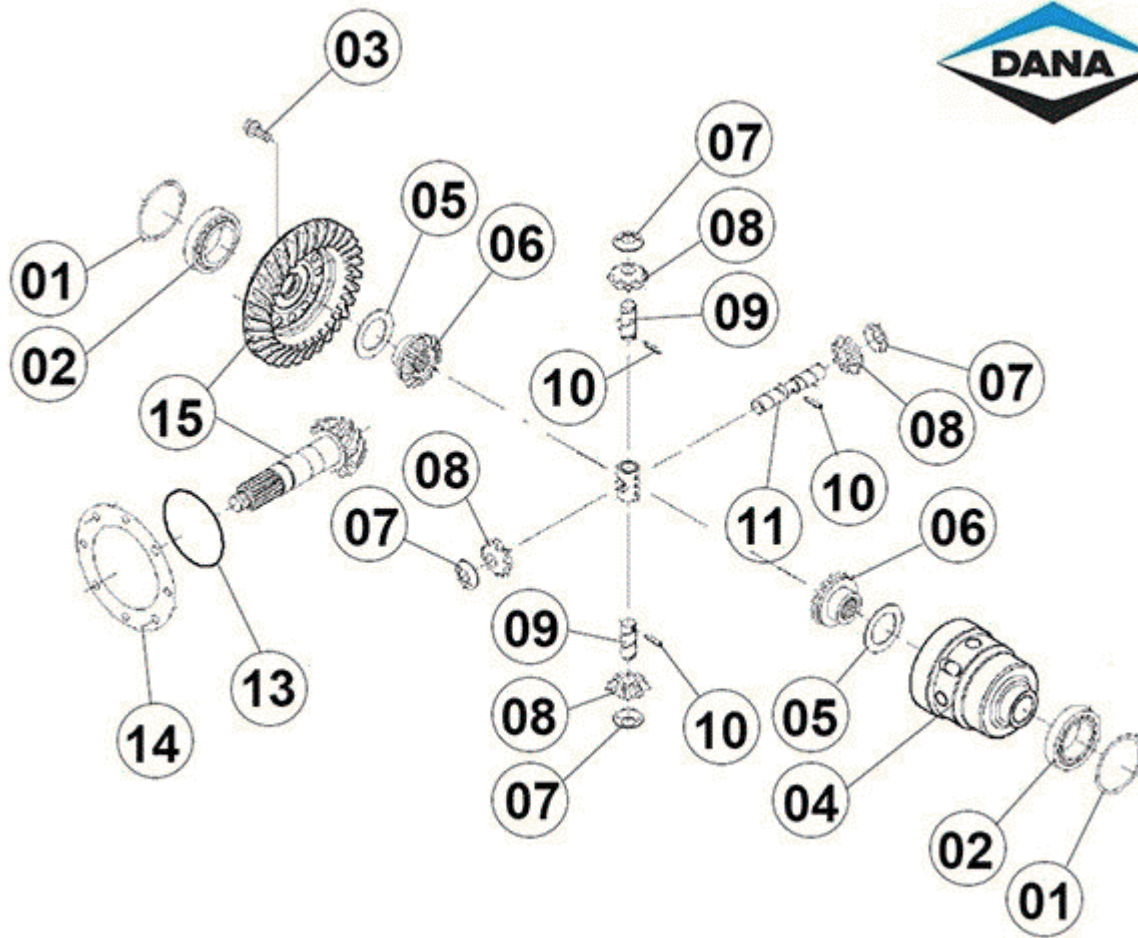


FIGURE	REFERENCE	DENOMINATION	AMOUNT
001	DA013011475	SHIM	1
001	DA013013288	SHIM	2
001	DA013013289	SHIM	2
001	DA013013290	SHIM	2
002	DA005090496	TAPER ROLLER BEARING	2
003	DA016283658	BOLT	12
004	DA1110405701	DIFFERENTIAL CARRIER	1
005	DA1710401101	FRICTION WASHER	2
006	DA1110405801	DIFFERENTIAL SIDE GEAR	2
007	DA1710401201A	FRICTION WASHER	4
008	DA1710400401	DIFFERENTIAL PINION	4
009	DA1110403401	SHAFT	2
010	DA014033539	PIN	3
011	DA1110403301	SHAFT	1
012	DA1110403202	SHAFT RETAINER	1
013	DA001051443	O - RING	1
014	DA1710100601	SHIM	1



014	DA1710100602	SHIM	1
014	DA1710100603	SHIM	1
014	DA1710100604	SHIM	1
015	DA1110450806	BEVEL GEAR SET	1

### 03. TRANSMISSION REAR AXLE (4)

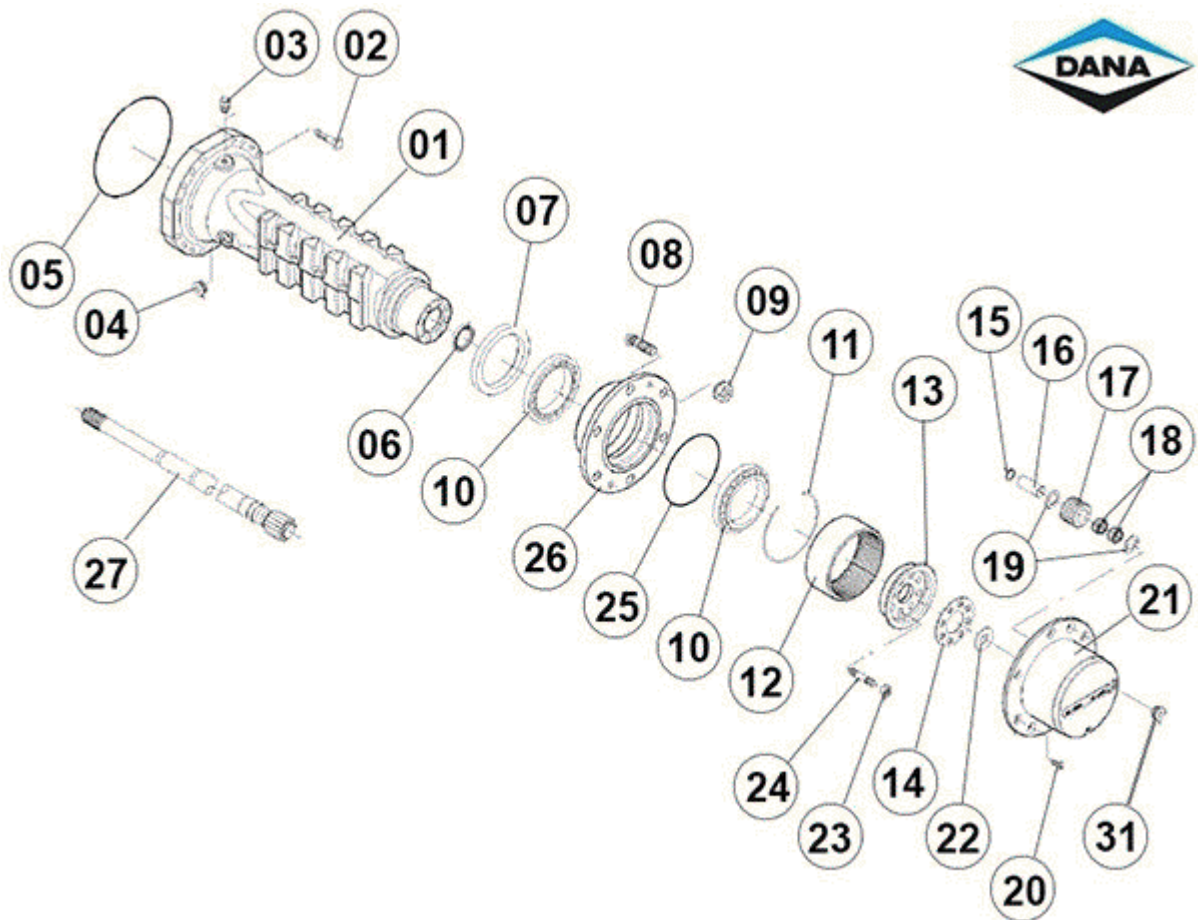


FIGURE	REFERENCE	DENOMINATION	AMOUNT
001	DA1110601202	AXLE CASE	2
002	DA016031317	BOLT	32
003	DA7020100301	VENT	1
004	DA3551461001	PLUG	4
005	DA001051037	O-RING	2
006	DA001011349	RING	2
007	DA001211393	O-RING	2
008	DA8190600606	BOLT, WHEEL	12
009	DA006080206	WHEEL NUT	12
010	DA005101380	BEARING	4
011	DA1110601901	CIRCLIP	2
012	DA1110601802	RING GEAR	2
013	DA1110602301	RING GEAR SUPPORT	2
014	DA1110600701	LOCKING PLATE	2
015	DA002021024	CIRCLIP	6
016	DA1110601601	SHAFT	6
017	DA1110601503	DIFFERENTIAL PINION	6

018	DA005130171	NEEDLE BEARING	12
019	DA1110601701	FRICTION WASHER	12
020	DA016062055	BOLT	4
021	DA1110602201	PLANET GEAR CARRIER	2
022	DA1120601702	WASHER	2
023	DA006022961	NUT	16
024	DA1110600601	STUD	16
025	DA001051350	RING	2
026	DA1110602101	WHEEL HUB	2
027	DA1110602401	HALF SHAFT	2

### 03. TRANSMISSION REAR AXLE (5)

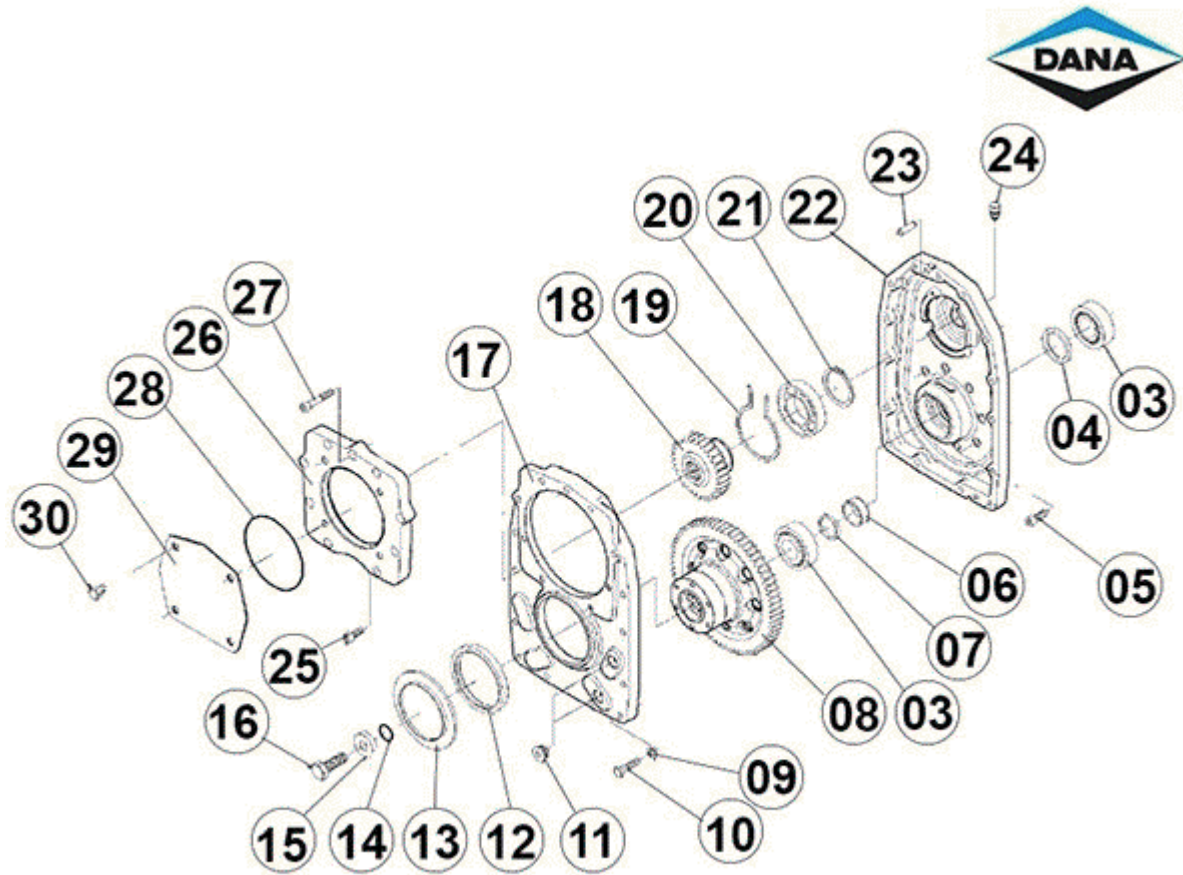


FIGURE	REFERENCE	DENOMINATION	AMOUNT
003	DA005092938	BEARING	2
004	DA001433687	O-RING	1
005	DA016040787	BOLT	8
006	DA3151400801	SPACER	1
007	DA3151400910	RING	1
007	DA3151401004	RING	1
008	DA3151401806	GEAR	1



### 03. TRANSMISSION CARDAN JOINT

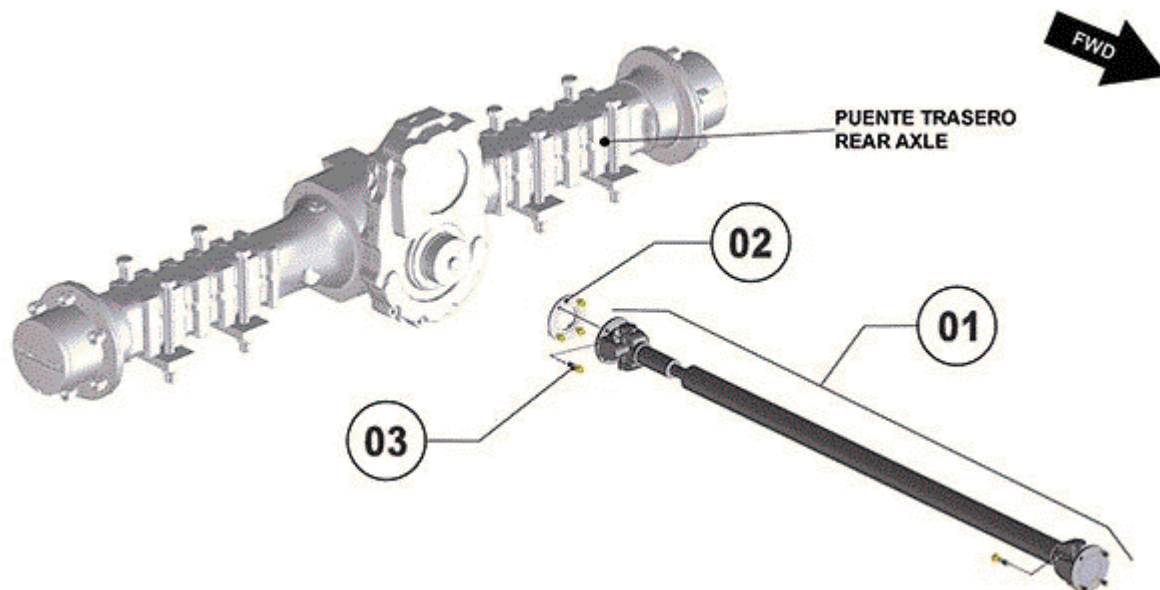


FIGURE	REFERENCE	DENOMINATION	AMOUNT
001	65.03616.01	DRIVE SHAFT 1350-1420 S-1310	1
002	65.03629.00	CARDAN SHAFTS	1
003	621.38029.80	BOLT DIN912 W3/8x29 16 HIL	8

### 03. TRANSMISSION

#### HYDROSTATIC ENGINE

CHASSIS: 84780

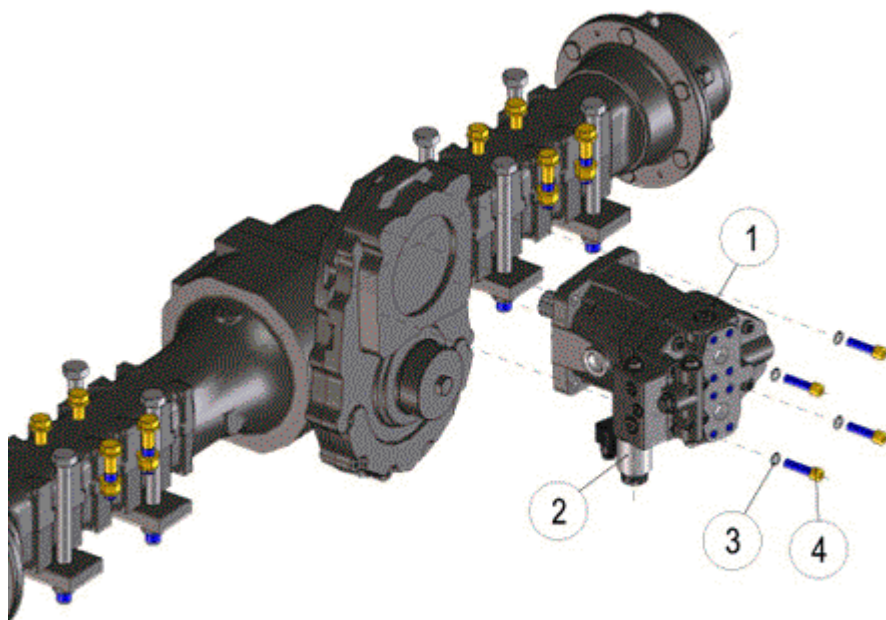


FIGURE	REFERENCE	DENOMINATION	AMOUNT
001	52.01490.05	HYDRAULIC ENGINE REXROTH A6VM SERIE 65 80cc	1
002	RX.30005.00	SPOOL	1
003	104.12000.00	WASHER DIN7980 D12	4
004	601.12045.86	SCREW DIN912	4

## 04. CHASSIS

### REAR CHASSIS

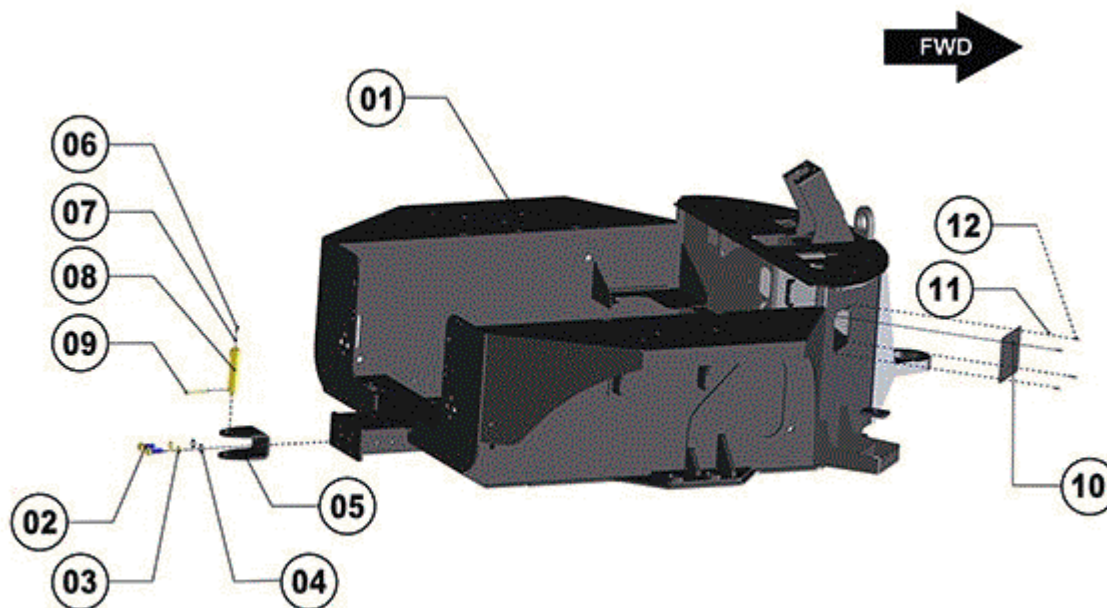


FIGURE	REFERENCE	DENOMINATION	AMOUNT
001	65.04102.03	FRAME, REAR 2054x1695x585	1
002	603.14040.86	SCREW DIN933 M14x40	2
003	105.14000.66	D14 WASHER DIN7980	2
004	101.14000.66	WASHER DIN125 D14	2
005	17.08090.00	SUPPORT	1
006	603.05010.86	SCREW DIN933 M5x10	1
007	701.05000.66	NUT DIN934 M5x0.8	1
008	15.00835.00	AXLE CPA/GRA 25x30x135	1
009	15.00836.00	PIN DIN11024 R4	1
010	65.04187.00	COVER 180x144x2	1
011	104.06000.00	WASHER DIN7980 D6	4
012	603.06015.86	SCREW DIN933 M6x15	4

## 04. CHASSIS FRONT CHASSIS

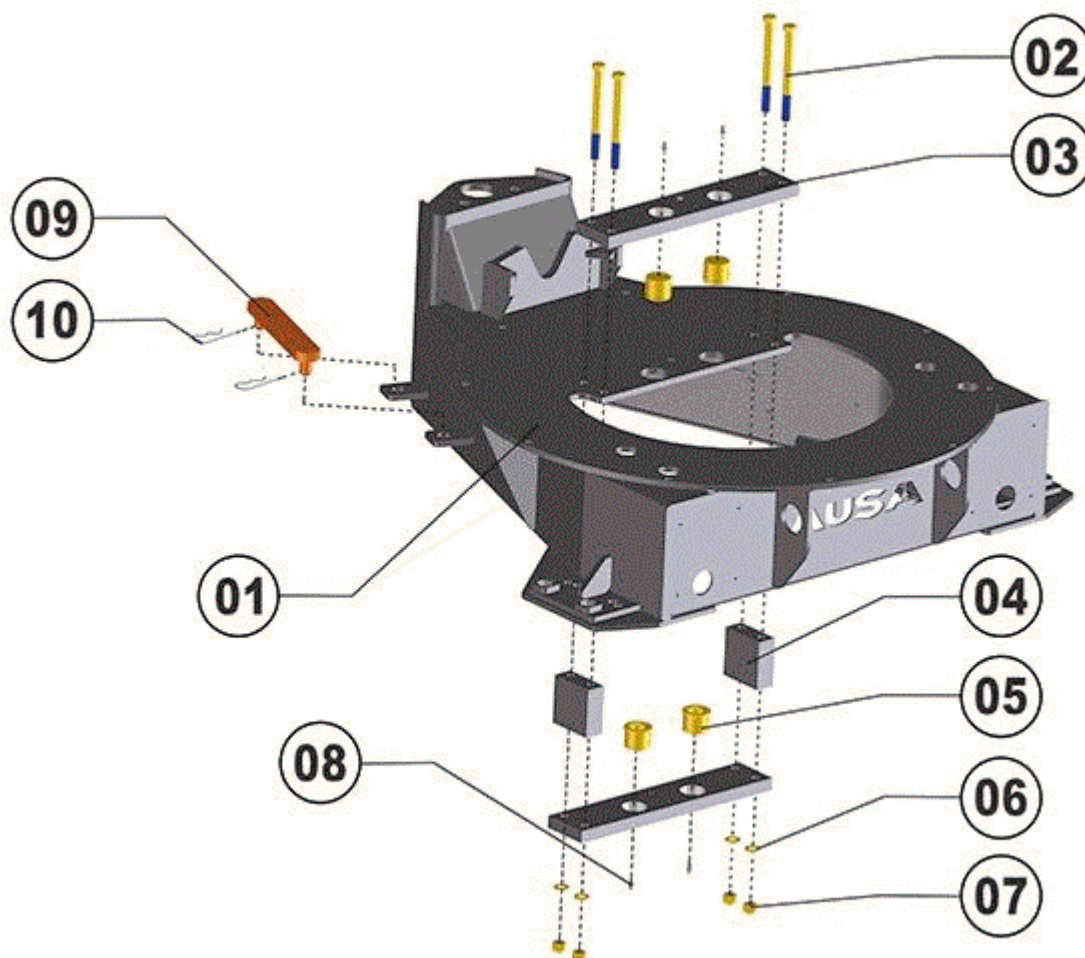


FIGURE	REFERENCE	DENOMINATION	AMOUNT
001	65.04100.02	FRAME, FRONT 1347x1087x440	1
002	604.16190.94	BOLT DIN931 M16x190 12K	4
003	64.04226.00	SUPPORT 25x100x490, FIXING	2
004	64.04227.00	SUPPORT 50x100x100, FIXING	2
005	64.04228.00	BUSHING 9,5x32x51	2
006	101.16000.66	WASHER DIN125 D16	4
007	711.16000.66	NUT DIN982 M16 8.8 K	4
008	901.08000.33	GREASER DIN71412-A M8x1,25	4
009	64.06223.00	CON ROD 50x55x300	1
010	15.00836.02	PIN	2

**04. CHASSIS**  
**FRONT CHASSIS**  
CHASSIS: 82487

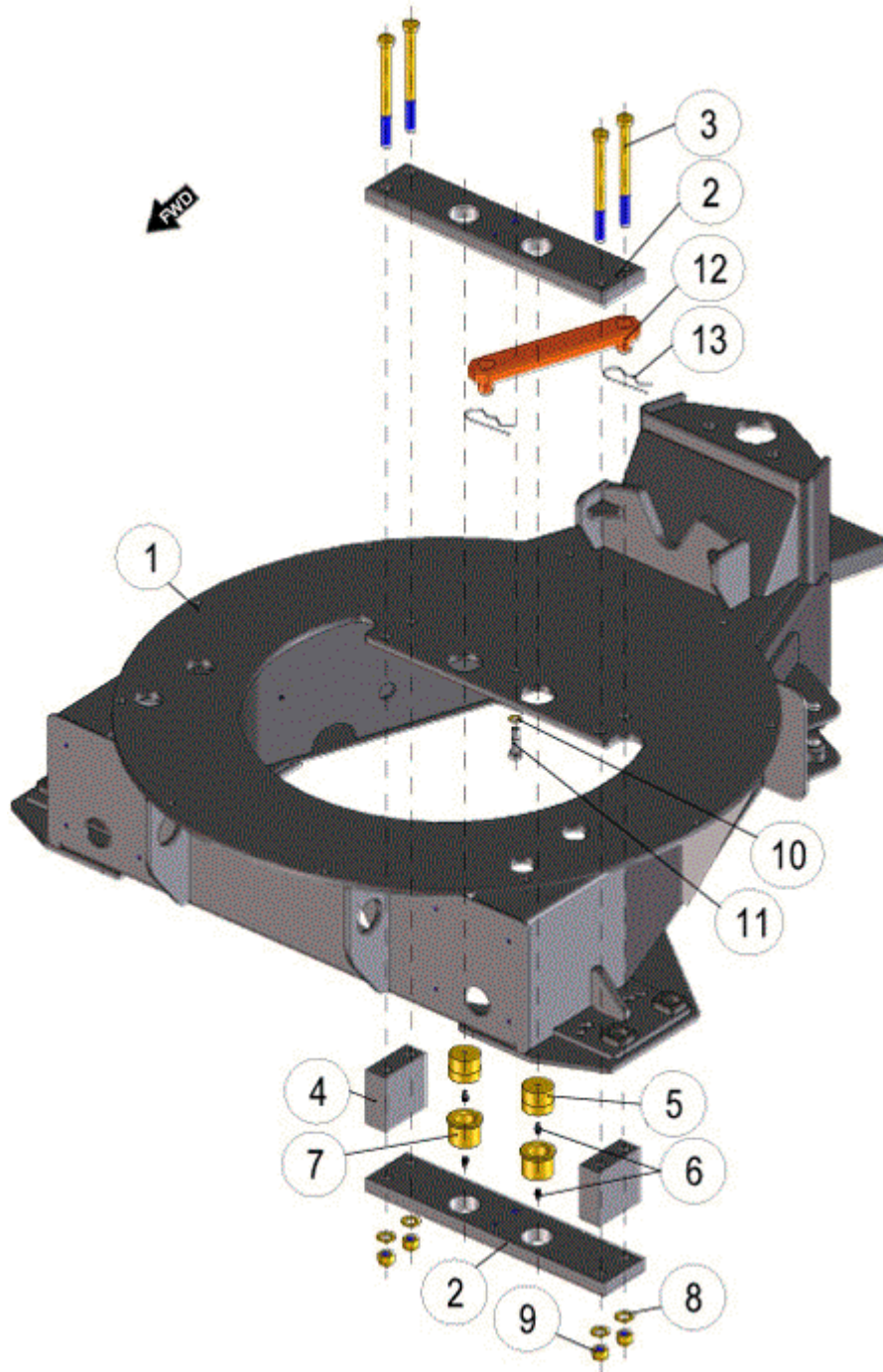


FIGURE	REFERENCE	DENOMINATION	AMOUNT
001	65.04100.05	TRILATERAL CHASSIS 1347X1087X4	1
002	64.04226.00	SUPPORT 25x100x490, FIXING	2
003	604.16190.94	BOLT DIN931 M16x190 12K	4
004	64.04227.00	SUPPORT 50x100x100, FIXING	2
005	64.04229.00	BUSHING 9,5x32x51	2
006	901.08000.33	GREASER DIN71412-A M8x1,25	4
007	64.04228.00	BUSHING 9,5x32x51	2

008	101.16000.66	WASHER DIN125 D16	4
009	711.16000.66	NUT DIN982 M16 8.8 K	4
010	104.12000.00	WASHER DIN7980 D12	1
011	604.12045.86	SCREW DIN931	1
012	64.06223.00	CON ROD 50x55x300	1
013	15.00836.02	PIN	2



## 04. CHASSIS ARTICULATION AXLE

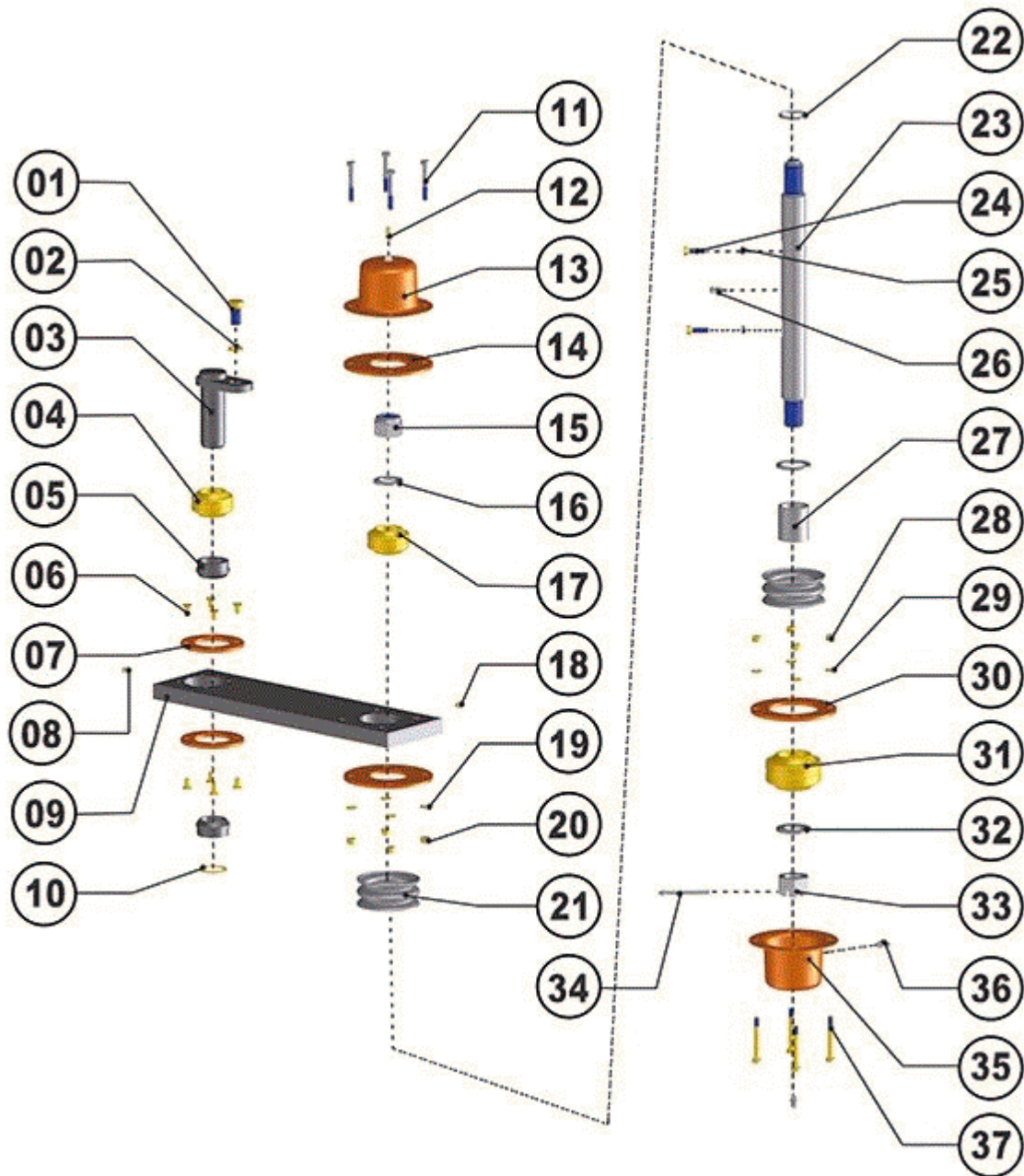


FIGURE	REFERENCE	DENOMINATION	AMOUNT
001	603.16030.86	BOLT DIN933 M16x30	1
002	104.16000.00	CIR-CLIP EXT. DIN7980	1
003	64.06224.00	SPINDLE 40x120	1
004	941.40040.01	BUSHING GE40FO 2RS-C2	1
006	618.08016.86	FLAT HEAD SOCKET CAP SCREW DIN7991 M8x16	8
007	64.06219.00	COVER 6x104	2
009	65.04141.01	CON ROD 68x507	1
010	904.40000.00	RING DIN471	1



011	604.08060.86	SCREW DIN931 M8x60	4
013	64.06210.02	COVER Ø93X145	1
014	65.04142.00	COVER 145x5	2
015	01.01319.00	NUT DIN935 M30x2x30	1
016	65.04148.00	WASHER 31x48x5	1
017	941.40040.01	BUSHING GE40FO 2RS-C2	1
019	101.08000.66	WASHER DIN125 D8	4
020	711.08000.66	NUT DIN982 M8	4
021	64.06214.00	DUST EXCLUDER 43x103	1
022	65.04146.00	WASHER 41x48x5	2
023	65.04144.00	AXLE	1
024	603.08030.86	SCREW DIN933 M8X30	2
025	701.08000.66	NUT DIN934 M8X1,25	2
026	902.08000.33	GREASER DIN71412-C	1
027	65.04145.00	BUSHING 40x50x56	1
028	711.08000.66	NUT DIN982 M8	4
029	101.08000.66	WASHER DIN125 D8	4
030	65.04143.00	COVER 140x6	1
031	941.50056.01	BUSHING GE50FO 2RS-2C	1
032	65.04147.00	WASHER 31x57x4.5	1
033	01.01319.00	NUT DIN935 M30x2x30	1
034	401.06070.60	PIN DIN94 6x70	1
035	64.06210.02	COVER Ø93X145	1
036	902.08000.33	GREASER DIN71412-C	1
037	604.08070.86	SCREW DIN931	4

## 05. BRAKE ACTIVATION

### FOOT BRAKE



FIGURE	REFERENCE	DENOMINATION	AMOUNT
001	43.07310.01	PANEL	1
002	65.05111.00	PEDAL, BRAKE	1
003	01.00139.00	SPRING TENSION	1
004	604.10100.86	SCREW DIN931	1
005	701.10000.66	NUT DIN934 M10x1.5	2
006	65.05113.00	SHAFT CYL/CYL 15x152	1
007	949.01525.00	BUSHING 15x17x25 DIN 1494	2
008	711.06000.66	NUT DIN982 M6	1
009	101.06000.66	WASHER DIN125 D6	1
010	604.06040.86	SCREW DIN931 M6x40	1
011	401.02025.60	PIN DIN94 2x25	1
012	01.00514.01	AXLE CIL/CPA 14x8x28	1
013	01.00564.01	ART. FORK	1
014	01.01304.00	NUT	1
015	65.41800.00	SUPPORT	1
016	711.08000.66	NUT DIN982 M8	2
017	101.08000.66	WASHER DIN125 D8	2
018	603.08030.86	SCREW DIN933 M8X30	2
019	65.05119.00	FOOTPUMP 1 1-16 36,5	1
020	55.00758.00	NIPPLE	1
021	106.12000.20	WASHER CU	2
022	55.00757.20	NIPPLE SCREW SIM.	1

023	43.01520.00	BRAKE FLUID SWITCH	1
024	80.01090.00	CAP	1
025	107.10000.10	WASHER AL	1
026	65.05116.00	HYDRAULIC STEEL PIPE, BUNDY 4 524X149,5X81	1
027	64.05123.00	FITTING M/M	1
028	64.05119.00	HOSE, FLEXIBLE DR7 408	1
029	65.05115.00	HYDRAULIC STEEL PIPE, BUNDY 4 816X321X248	1

## 05. BRAKE ACTIVATION HANDBRAKE

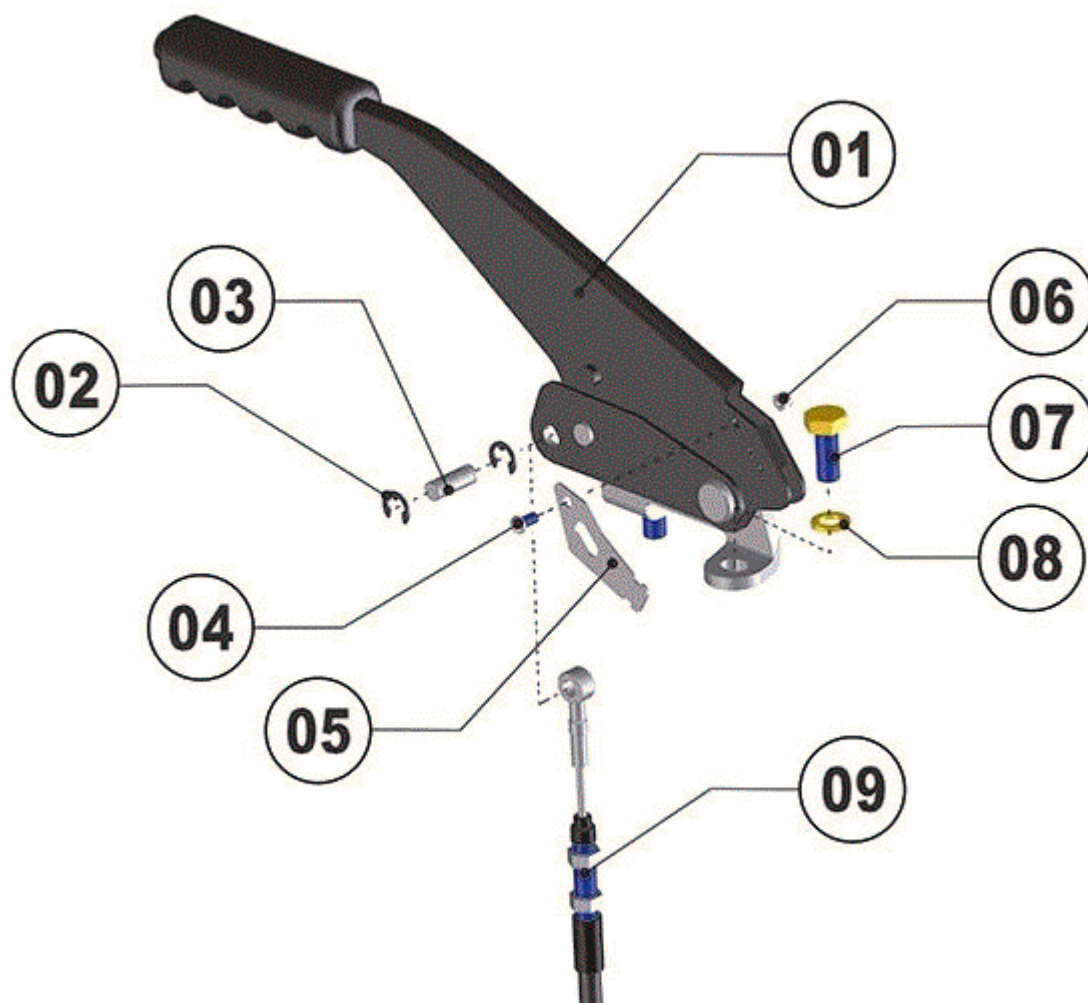


FIGURE	REFERENCE	DENOMINATION	AMOUNT
001	65.05221.00	ACC LEVER. BRAKE	1
002	961.08000.00	SAFETY RING DIN6799	2
003	65.05135.00	PIN 9x25	1
004	630.05010.96	SCREW ISO7380	1
005	65.05225.00	WIRE FIXING BRACKET	1
006	720.05000.66	NUT DIN985 M5	1
007	603.10025.86	SCREW DIN933 M10x25	1
008	105.10000.66	WASHER DIN7980 D10	1
009	64.05113.05	BRAKE CABLE, DANA 4x3850	1

## 05. BRAKE ACTIVATION HANDBRAKE CHASSIS: 76351

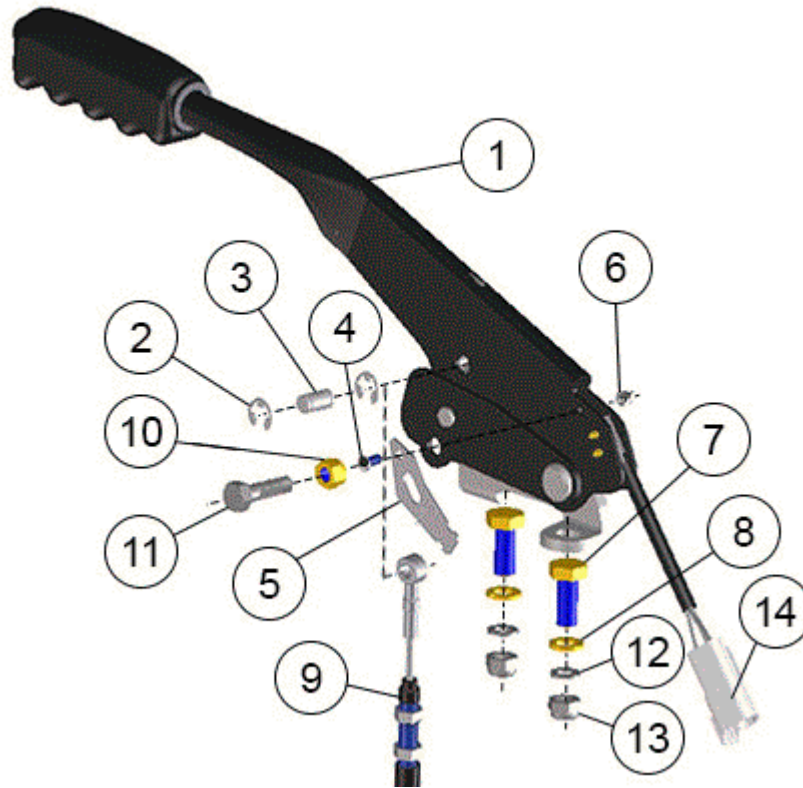


FIGURE	REFERENCE	DENOMINATION	AMOUNT
001	63.05010.01	BRAKE LEVER ACTUATION	1
002	961.08000.00	SAFETY RING DIN6799	2
003	65.05135.00	PIN 9x25	1
004	630.05010.96	SCREW ISO7380	1
005	65.05225.00	WIRE FIXING BRACKET	1
006	720.05000.66	NUT DIN985 M5	1
007	603.10025.86	SCREW DIN933 M10x25	2
008	105.10000.66	WASHER DIN7980 D10	2
009	64.05113.05	BRAKE CABLE, DANA 4x3850	1
010	711.08000.66	NUT DIN982 M8	1
011	603.08030.86	SCREW DIN933 M8X30	1
012	101.10000.66	WASHER DIN125 D10	2
013	711.10000.66	SHOCK ABSORBER	2
014	65.05223.00	HAND BRAKE SENSOR	1

## 05. BRAKE ACTIVATION

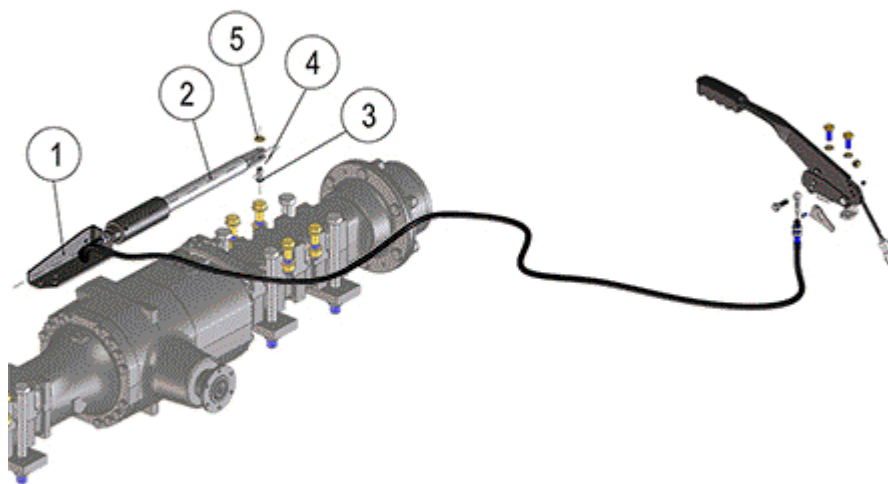


FIGURE	REFERENCE	DENOMINATION	AMOUNT
001	65.04190.00	SUPPORT	1
002	64.05113.05	BRAKE CABLE, DANA 4x3850	1
003	65.03117.00	PIN 9,8x28	1
004	401.02025.60	PIN DIN94 2x25	1
005	101.10000.66	WASHER DIN125 D10	1

## 06. STEERING DRIVE PINION

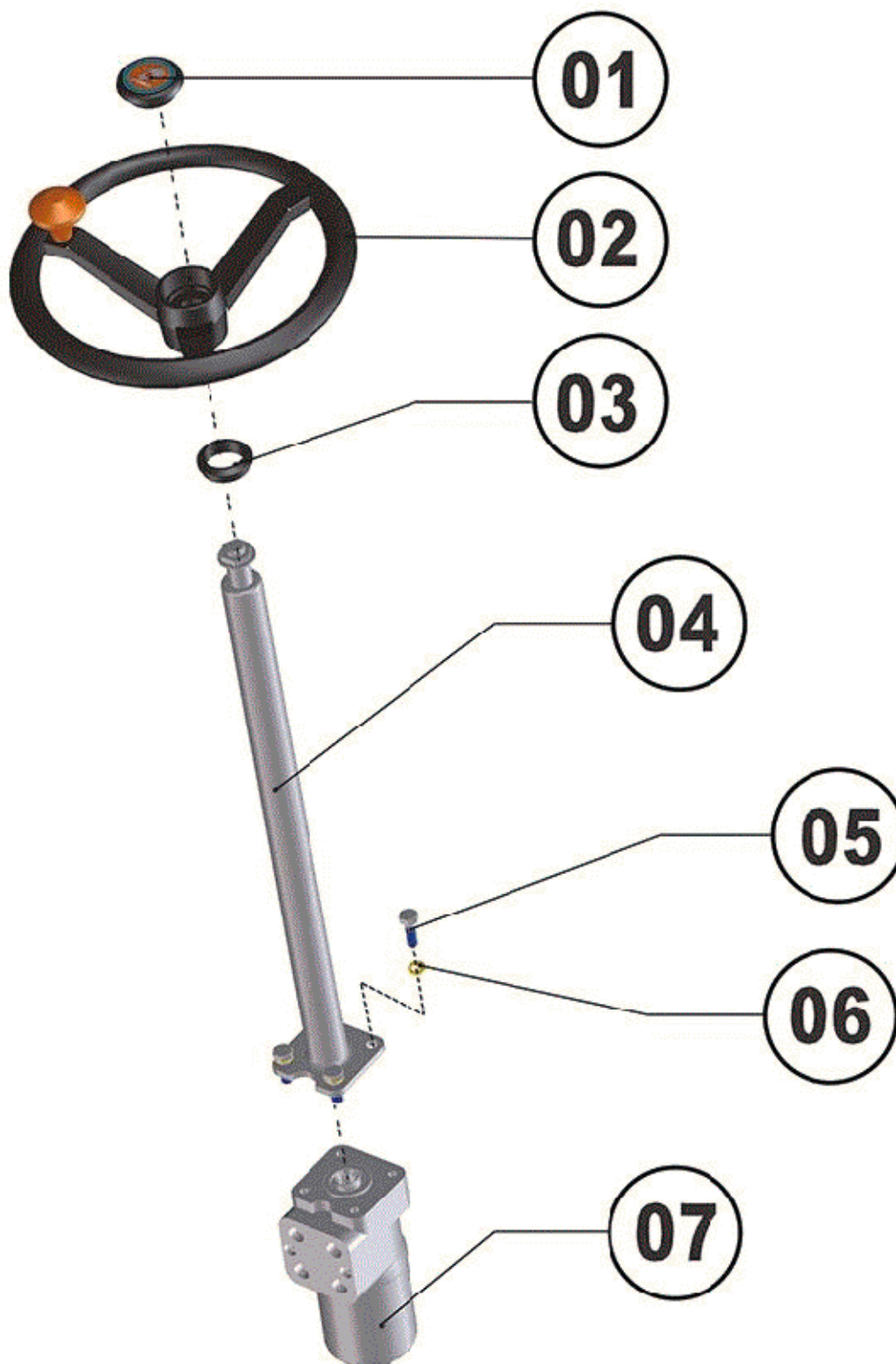


FIGURE	REFERENCE	DENOMINATION	AMOUNT
001	00.00626.03	TRIM	1
002	15.01016.01	STEERING WHEEL D21-315 WITH POMMEL	1
003	15.20727.00	NYLON BEARING 16x38x52	1



004	65.06212.00	STEERING COLUMN	1
005	604.10030.86	SCREW DIN931	4
006	105.10000.66	WASHER DIN7980 D10	4
007	65.06231.00	HYDRAULIC STEERING	1

## 06. STEERING

### DRIVE PINION

CHASSIS: 79164

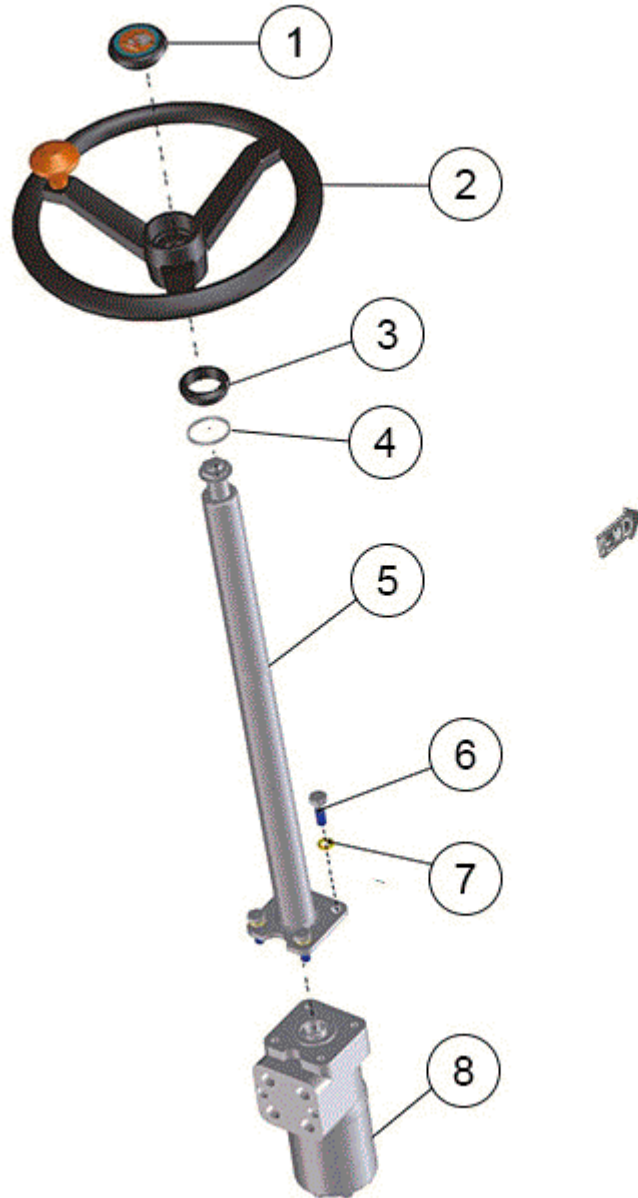


FIGURE	REFERENCE	DENOMINATION	AMOUNT
001	00.00626.03	TRIM	1
002	15.01016.01	STEERING WHEEL D21-315 WITH POMMEL	1
003	15.20727.01	NYLON BEARING 17X38X52	1
004	201.03953.50	O-RING DIN3770 D39.5XD3	1
005	65.06212.00	STEERING COLUMN	1
006	604.10030.86	SCREW DIN931	4
007	105.10000.66	WASHER DIN7980 D10	4
008	65.06231.00	HYDRAULIC STEERING	1

## 06. STEERING

### STEERING CYLINDER MOUNTING

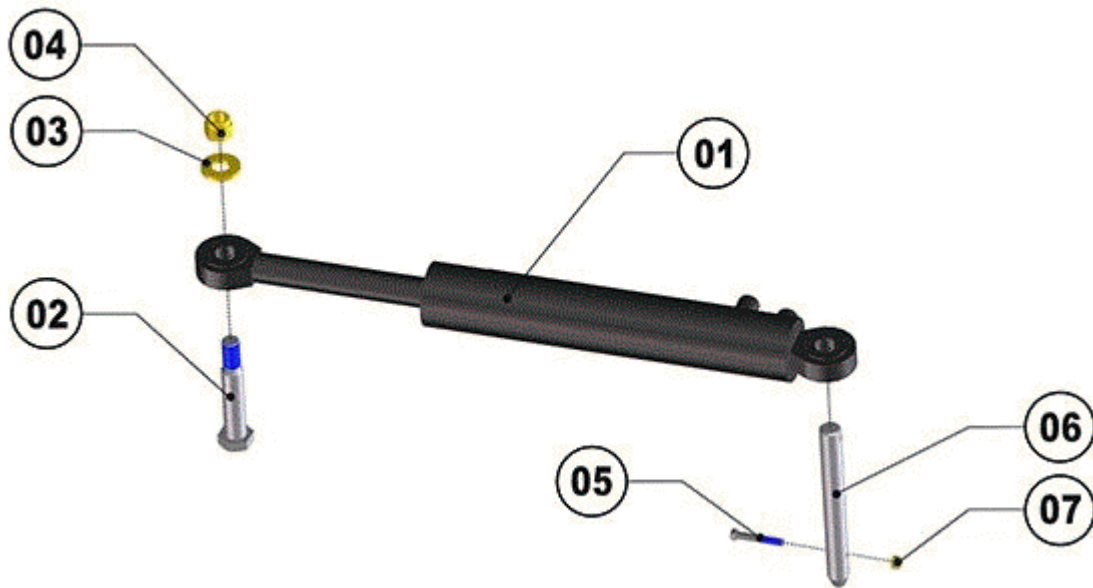


FIGURE	REFERENCE	DENOMINATION	AMOUNT
001	65.06210.00	CYLINDER	1
002	64.04225.00	SHAFT 36x20x140	1
003	15.00561.00	WASHER DIN125 20.5x45x5	1
004	711.20000.66	NUT	1
005	604.08055.86	BOLT DIN931 M8x55	1
006	65.06213.00	SHAFT CYL/CYL 25x220	1
007	711.08000.66	NUT DIN982 M8	1

## 06. STEERING HYDRAULIC CYLINDERS

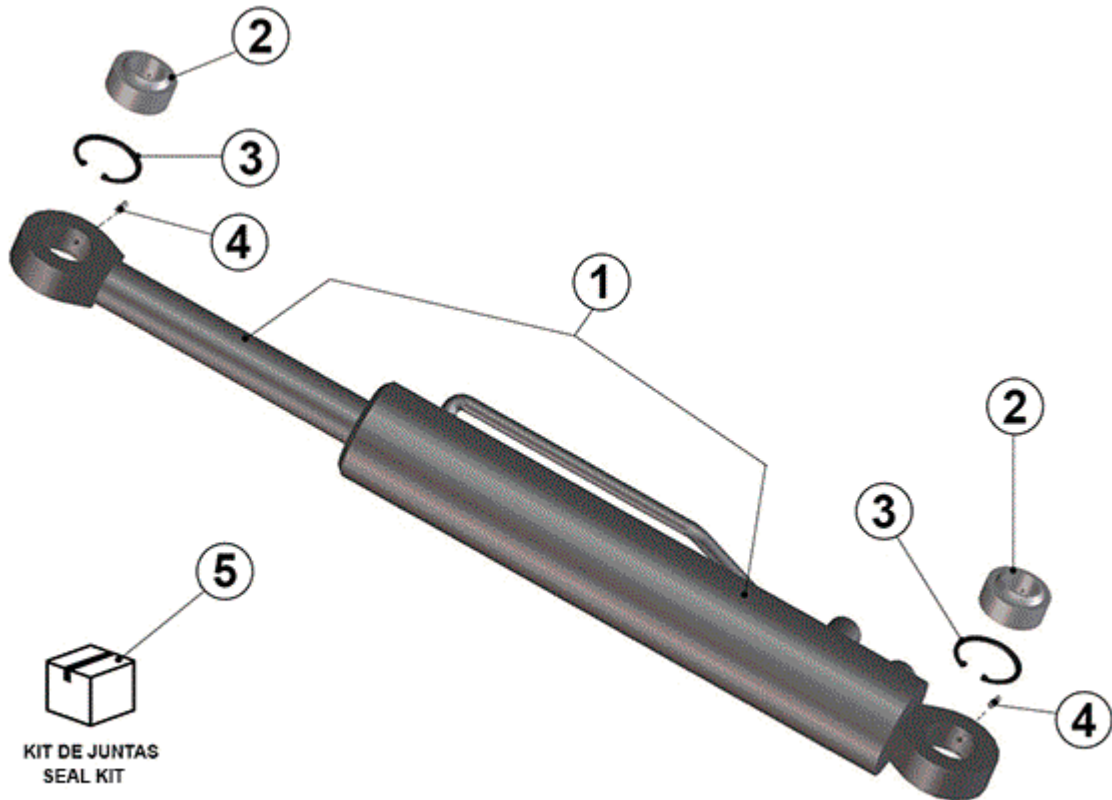


FIGURE	REFERENCE	DENOMINATION	AMOUNT
001	65.06210.00	CYLINDER	1
002	65.06222.00	BALL JOINT DIREC.	2
003	65.06224.00	O-RING	2
004	65.06221.00	CAP, GREASING	2
005	65.06214.00	SEAL KIT	1

## 07. WHEELS WHEELS

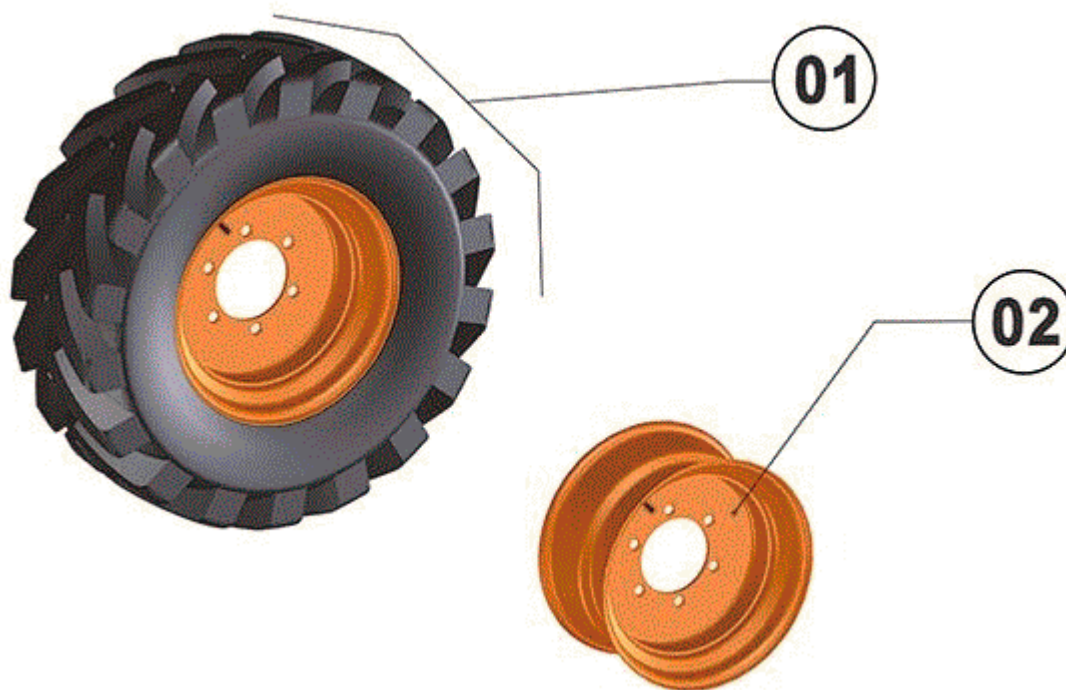


FIGURE	REFERENCE	DENOMINATION	AMOUNT
001L	65.07700IZ00	LEFT WHEEL 12.0/75-18	2
001R	65.07700DE00	RIGHT WHEEL 12.0/75-18	2
002	65.07701.00	RIM	4

## 08. BODYWORK SHEETS (1)

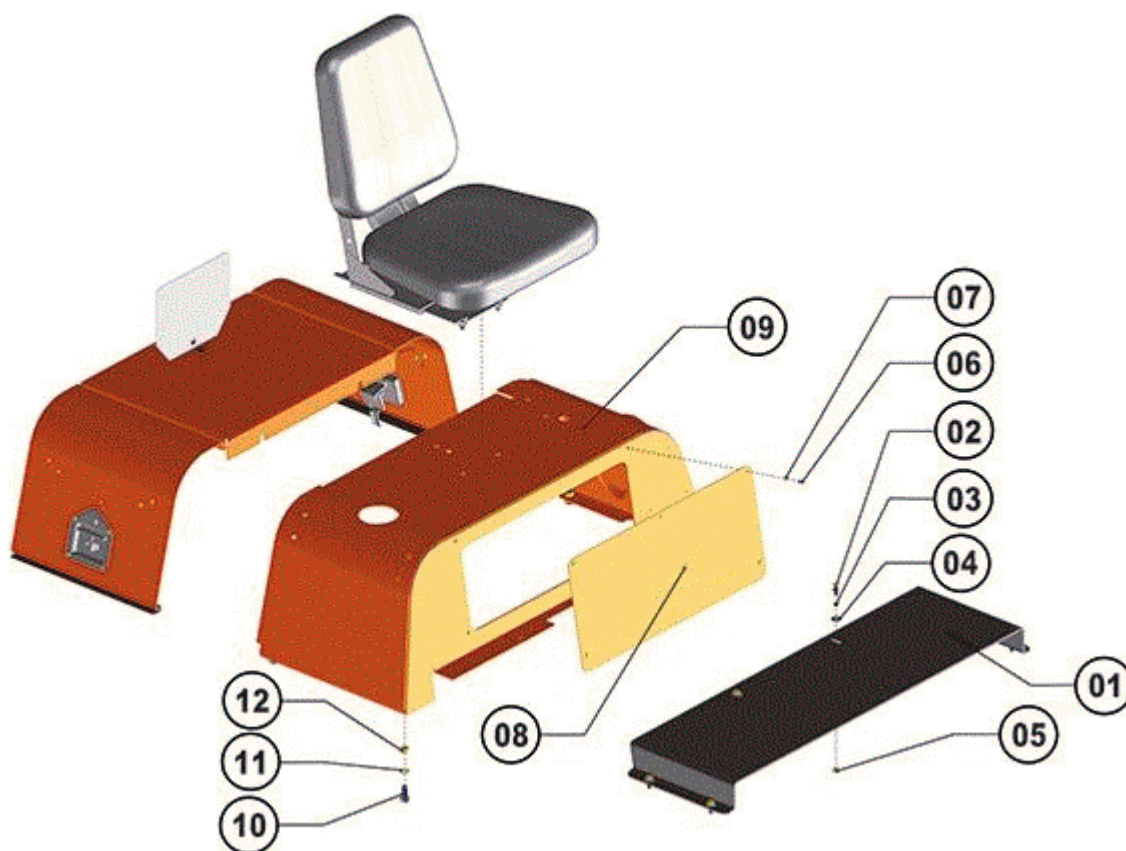


FIGURE	REFERENCE	DENOMINATION	AMOUNT
001	65.08119.00	COVER 1041x303x70	1
002	630.08025.96	SCREW ISO7380	6
003	105.08000.66	CIR-CLIP EXT. DIN7980 D8	6
004	112.08000.66	WASHER DIN9021 D8	6
005	701.08000.66	NUT DIN934 M8X1,25	6
006	603.06010.86	SCREW DIN933 M6x10	6
007	105.06000.66	CIR-CLIP DIN7980	6
008	65.08125.00	COVER 620X270X1.5 mm	1
009	65.08110.01	COVER 1067x667x492	1
010	603.12030.86	SCREW DIN933 M12x30	4
011	105.12000.66	WASHER DIN7980 D12	4

## 08. BODYWORK

### SHEETS (1)

CHASSIS: 76351

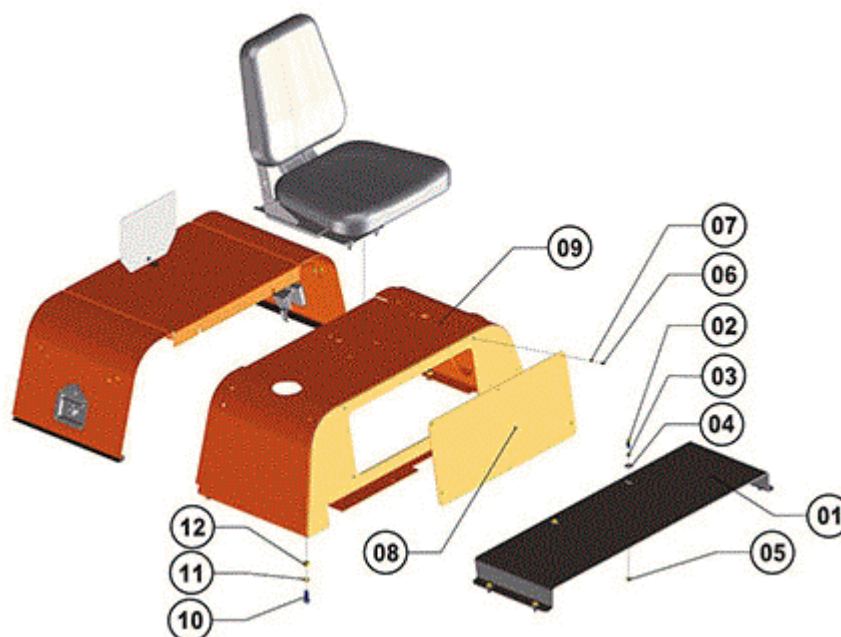


FIGURE	REFERENCE	DENOMINATION	AMOUNT
001	65.08119.00	COVER 1041x303x70	1
002	630.08025.96	SCREW ISO7380	6
003	105.08000.66	CIR-CLIP EXT. DIN7980 D8	6
004	112.08000.66	WASHER DIN9021 D8	6
005	701.08000.66	NUT DIN934 M8X1,25	6
006	603.06010.86	SCREW DIN933 M6x10	6
007	105.06000.66	CIR-CLIP DIN7980	6
008	65.08125.00	COVER 620X270X1.5 mm	1
009	65.08130.03	FLANGE SEAT 1100X492X341	1
010	603.12030.86	SCREW DIN933 M12x30	4
011	105.12000.66	WASHER DIN7980 D12	4



## 08. BODYWORK SHEETS (2)

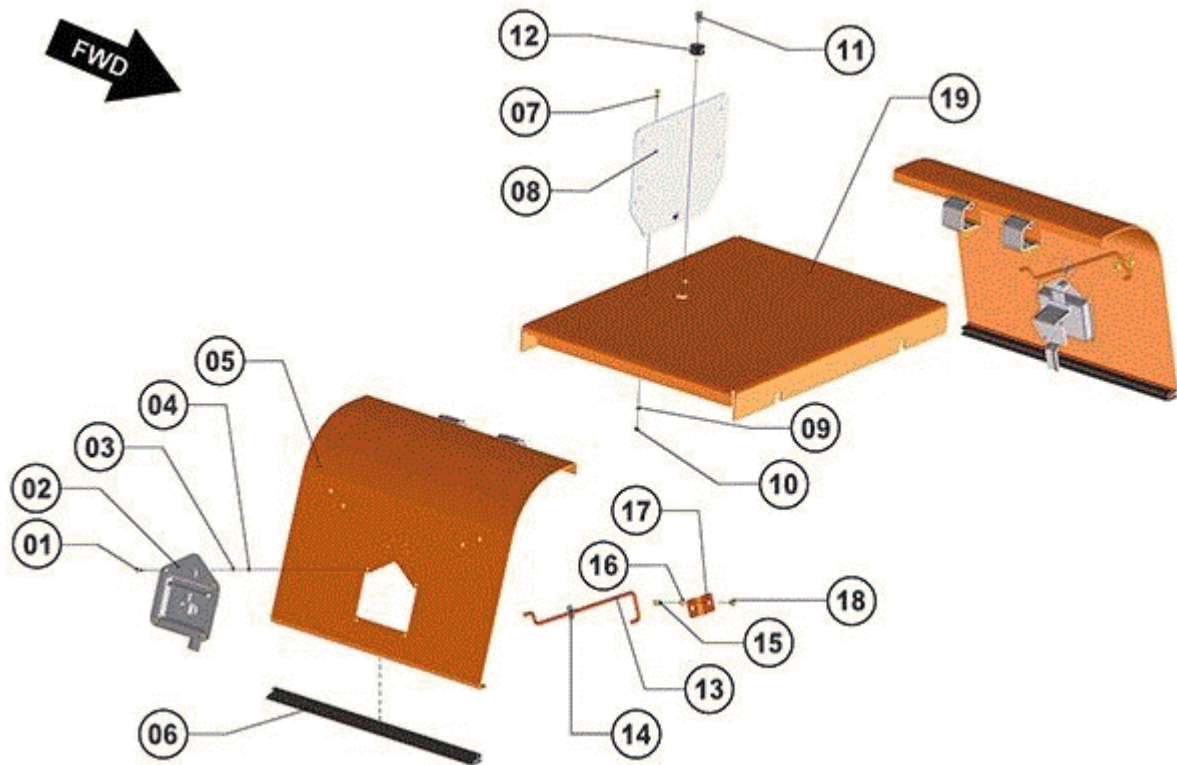


FIGURE	REFERENCE	DENOMINATION	AMOUNT
001	615.04015.66	SCREW DIN84 M4x15	4
002	64.08119.00	CLOSING WITH KEY	1
003	104.04000.00	WASHER DIN7980 D4	4
004	701.04000.66	NUT DIN934 M4	4
005	65.08112.00	COVER 422,5x331x233	2
006	472.00410.00	RUBBER PROFILE 22X22	1
007	603.05015.86	SCREW DIN933	2
008	46.10754.00	PIN SUPPORT 25x195x250	1
009	104.04000.00	WASHER DIN7980 D4	2
010	701.05000.66	NUT DIN934 M5x0.8	2
011	02.32013.00	CAP	1
012	16.00760.00	BUSH	1
013	65.08115.00	ROD	1
014	65.08121.00	HOSE CLAMP Ø6	1
015	630.06015.96	SCREW ISO7380 M6x15	2
016	105.06000.66	CIR-CLIP DIN7980	2
017	65.08116.00	CLAMP 7	1
018	701.06000.66	NUT DIN934 M6X1	2
019	65.08111.00	COVER 674x432x50	1

## 08. BODYWORK

### ROPS ARCH

**00** ARCO ROPS COMPLETO  
COMPLETE ROPS ARCH

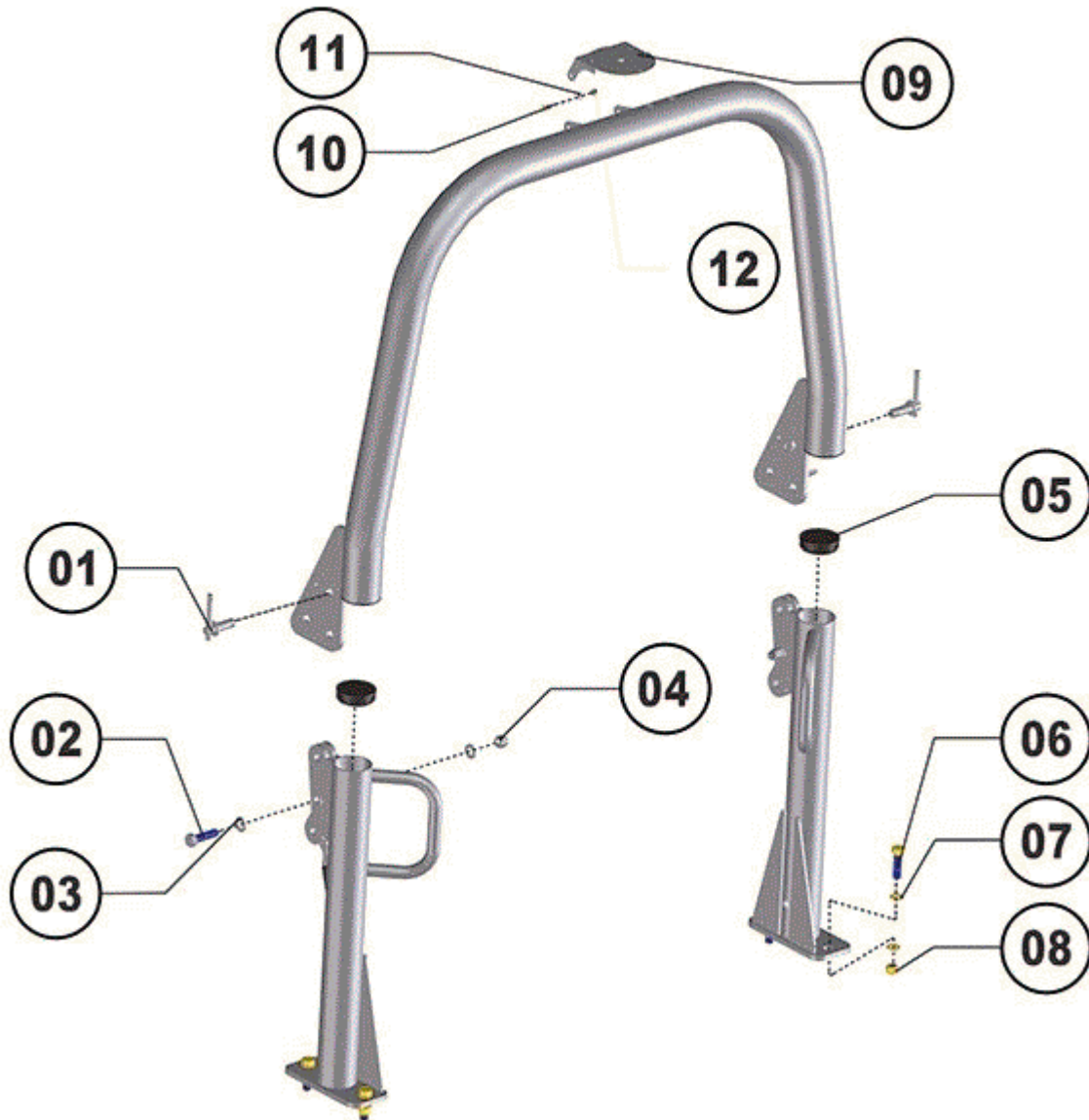


FIGURE	REFERENCE	DENOMINATION	AMOUNT
000	64.08180.00	ROPS	1
001	70.08104.00	PIN WITH CHAIN	1
002	604.18070.86	SCREW DIN931	2
003	101.18000.66	BEARING DIN125 D18	4
004	718.18000.66	NUT	2
005	64.08175.00	CAP. Ø90 - 465.604 - BLACK	4
006	603.18065.86	SCREW M9	4
007	101.16000.66	WASHER DIN125 D16	8
008	711.16000.66	NUT DIN982 M16 8.8 K	4
009	70.08106.01	PIN SUPPORT 170X150X2	1

010	630.08020.86	SCREW ISO7380	2
011	116.08000.00	WASHER DIN125 A D8	2
012	711.08000.66	NUT DIN982 M8	2

## 08. BODYWORK PROTECTORS

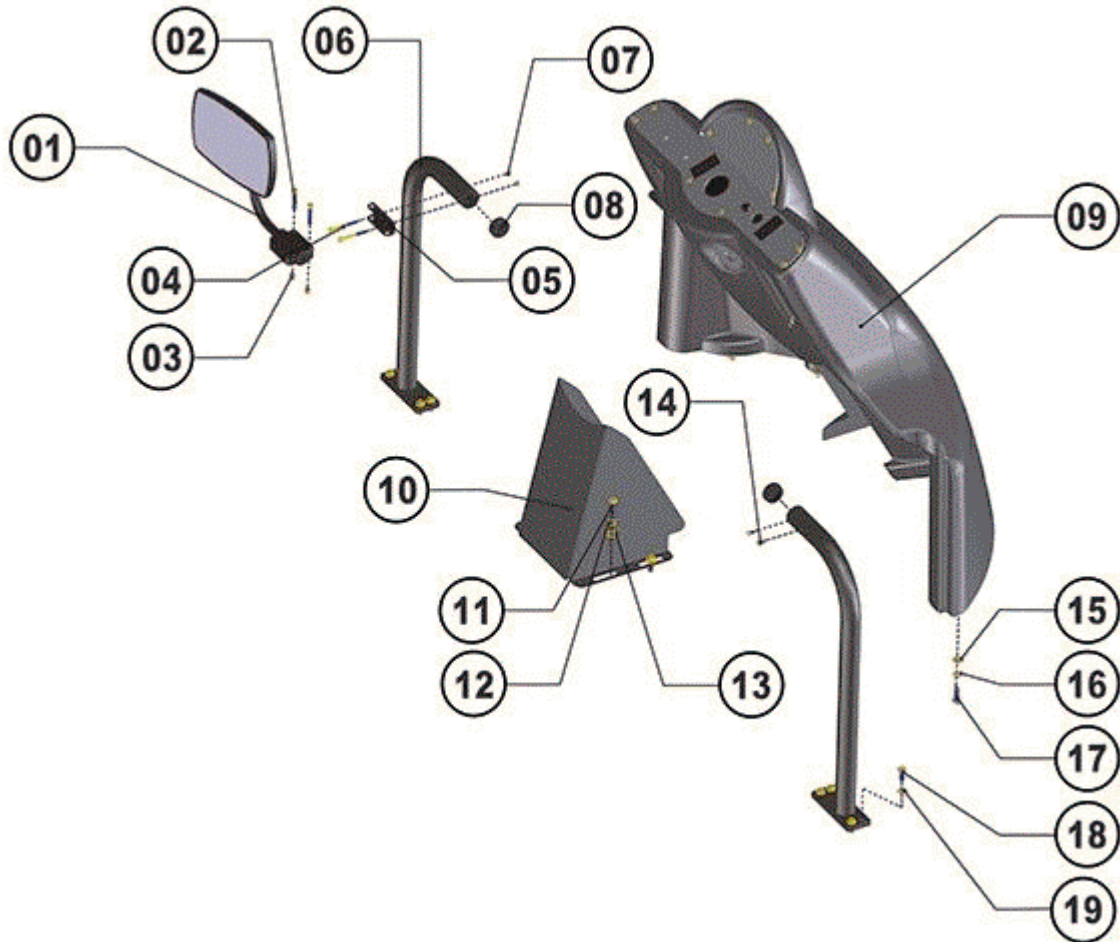


FIGURE	REFERENCE	DENOMINATION	AMOUNT
001	09.11013.00	REARVIEW MIRROR 142X208	1
002	603.06035.86	SCREW DIN933 M6x35	2
003	711.06000.66	NUT DIN982 M6	2
004	601.05050.86	SCREW DIN912	2
005	09.11012.00	SOP. EJE 18X25X75 RETROVISOR	1
006	64.04412.00	TUBE, METALLIC	2
007	711.05000.66	NUT DIN982 M5	2
008	02.32035.00	CAP	2
009	65.08211.00	PROTECTOR, STEERING SUPPORT	1
010	65.08212.00	COVER 280x224x223	1
011	630.08025.96	SCREW ISO7380	4
012	105.08000.66	CIR-CLIP EXT. DIN7980 D8	4
013	101.08000.66	WASHER DIN125 D8	4
014	630.05010.96	SCREW ISO7380	2
015	101.08000.66	WASHER DIN125 D8	4
016	105.08000.66	CIR-CLIP EXT. DIN7980 D8	4
017	603.08025.86	SCREW DIN933 M8x25	4

018	630.08020.96	SCREW ISO7380	8
019	105.08000.66	CIR-CLIP EXT. DIN7980 D8	8

## 08. BODYWORK

### PROTECTORS

CHASSIS: 82127

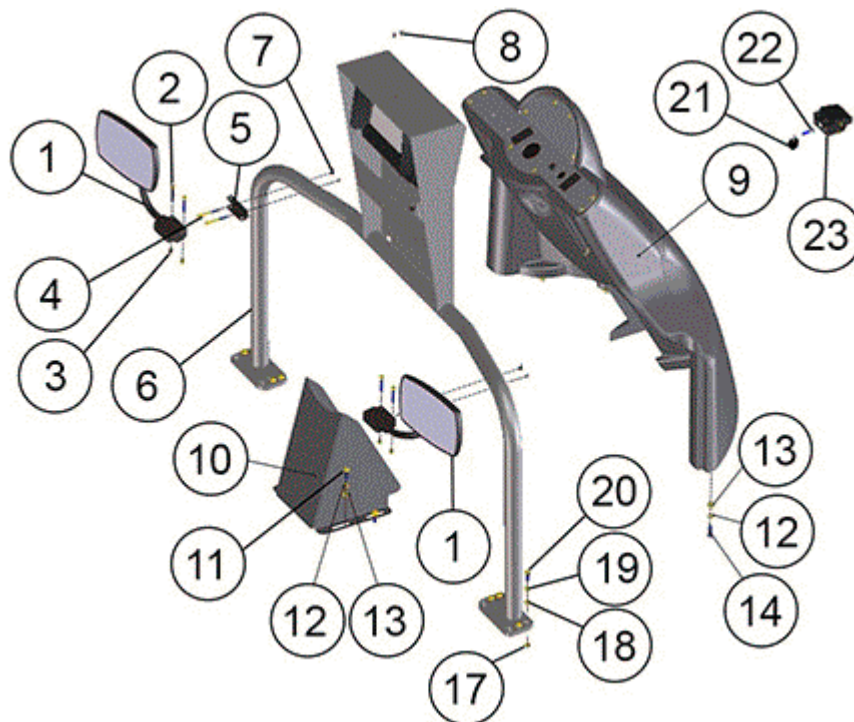


FIGURE	REFERENCE	DENOMINATION	AMOUNT
001	09.11009.00	REARVIEW MIRROR COMPLETE ASSY	2
002	603.06035.86	SCREW DIN933 M6x35	2
003	711.06000.66	NUT DIN982 M6	2
004	601.05050.86	SCREW DIN912	2
005	09.11012.00	SOP. EJE 18X25X75 RETROVISOR	2
006	64.04448.01	FIXING SUPPORT DISPLAY UNIFICAD	1
007	711.05000.66	NUT DIN982 M5	4
008	48.08229.00	CAP PLASTIC	2
009	70.08009.02	STEERING SUPPORT PROTECTOR	1
010	65.08212.00	COVER 280x224x223	1
011	630.08025.96	SCREW ISO7380	4
012	105.08000.66	CIR-CLIP EXT. DIN7980 D8	8
013	101.08000.66	WASHER DIN125 D8	8
014	603.08025.86	SCREW DIN933 M8x25	4
018	104.06000.00	WASHER DIN7980 D6	8
019	101.06000.66	WASHER DIN125 D6	8
020	603.06010.86	SCREW DIN933 M6x10	8
021	830.01808.00	CLAMP LOOP	1
022	604.08035.86	SCREW DIN931	1
023	64.11052.00	VISION CAMERA 72X87X75MM	1

## 08. BODYWORK

### PROTECTORS

CHASSIS: 82556

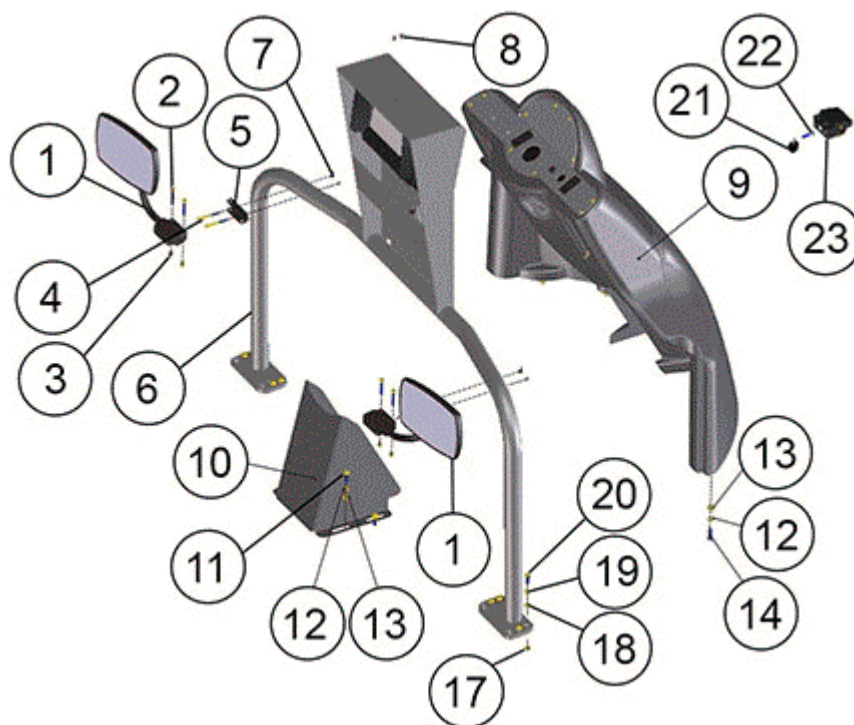


FIGURE	REFERENCE	DENOMINATION	AMOUNT
001	09.11009.00	REARVIEW MIRROR COMPLETE ASSY	2
002	603.06035.86	SCREW DIN933 M6x35	2
003	711.06000.66	NUT DIN982 M6	2
004	601.05050.86	SCREW DIN912	2
005	09.11012.00	SOP. EJE 18X25X75 RETROVISOR	2
006	64.04448.01	FIXING SUPPORT DISPLAY UNIFICAD	1
007	711.05000.66	NUT DIN982 M5	4
008	48.08229.00	CAP PLASTIC	2
009	65.08211.01	DIRECTION SUPPORT PROTECTOR	1
010	65.08212.00	COVER 280x224x223	1
011	630.08025.96	SCREW ISO7380	4
012	105.08000.66	CIR-CLIP EXT. DIN7980 D8	8
013	101.08000.66	WASHER DIN125 D8	8
014	603.08025.86	SCREW DIN933 M8x25	4
018	104.06000.00	WASHER DIN7980 D6	8
019	101.06000.66	WASHER DIN125 D6	8
020	603.06010.86	SCREW DIN933 M6x10	8
021	604.08035.86	SCREW DIN931	1
022	830.01808.00	CLAMP LOOP	1
023	64.11052.00	VISION CAMERA 72X87X75MM	1



## 08. BODYWORK SEAT

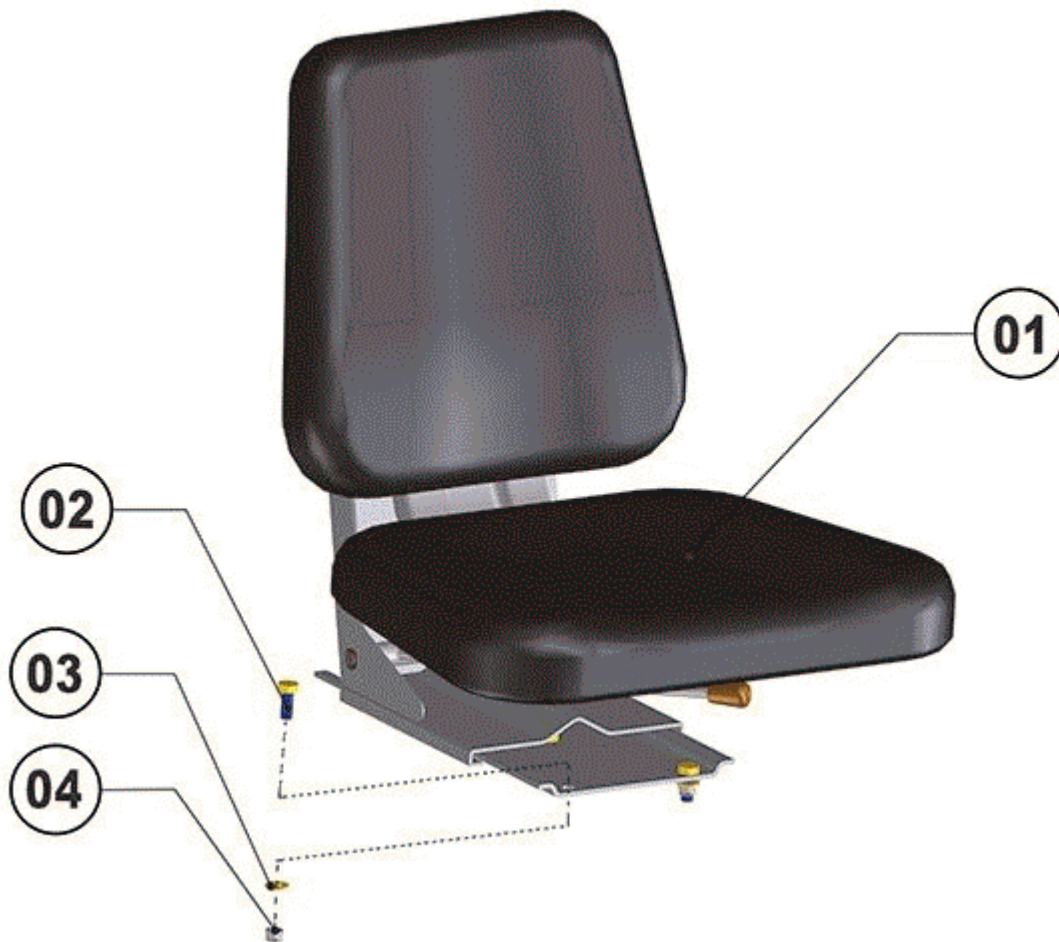


FIGURE	REFERENCE	DENOMINATION	AMOUNT
001	01.00706.07	DRIVER S SEAT	1
002	603.10025.86	SCREW DIN933 M10x25	4
003	101.10000.66	WASHER DIN125 D10	4
004	711.10000.66	SHOCK ABSORBER	4

## 08. BODYWORK COUNTERWEIGHT

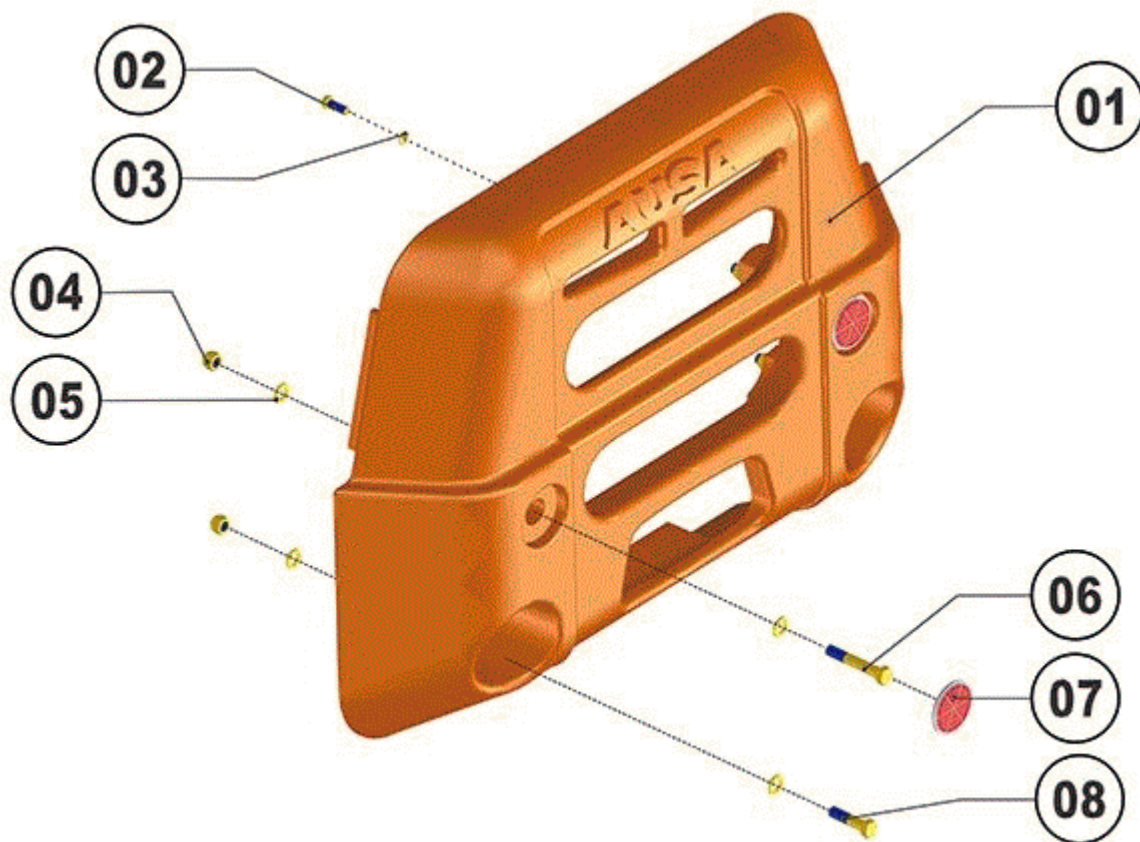


FIGURE	REFERENCE	DENOMINATION	AMOUNT
001	65.08310.00	COUNTERWEIGHT(212'5 kg )	1
002	603.12025.86	SCREW DIN933	2
003	105.12000.66	WASHER DIN7980 D12	2
004	711.16000.66	NUT DIN982 M16 8.8 K	4
005	101.16000.66	WASHER DIN125 D16	8
006	604.16100.86	SCREW DIN931	4
007	10.11017.00	RED REFLECTOR	2
008	604.16065.86	BOLT DIN931 M16x65	2

## 08. BODYWORK

### COUNTERWEIGHT

CHASSIS: 82487

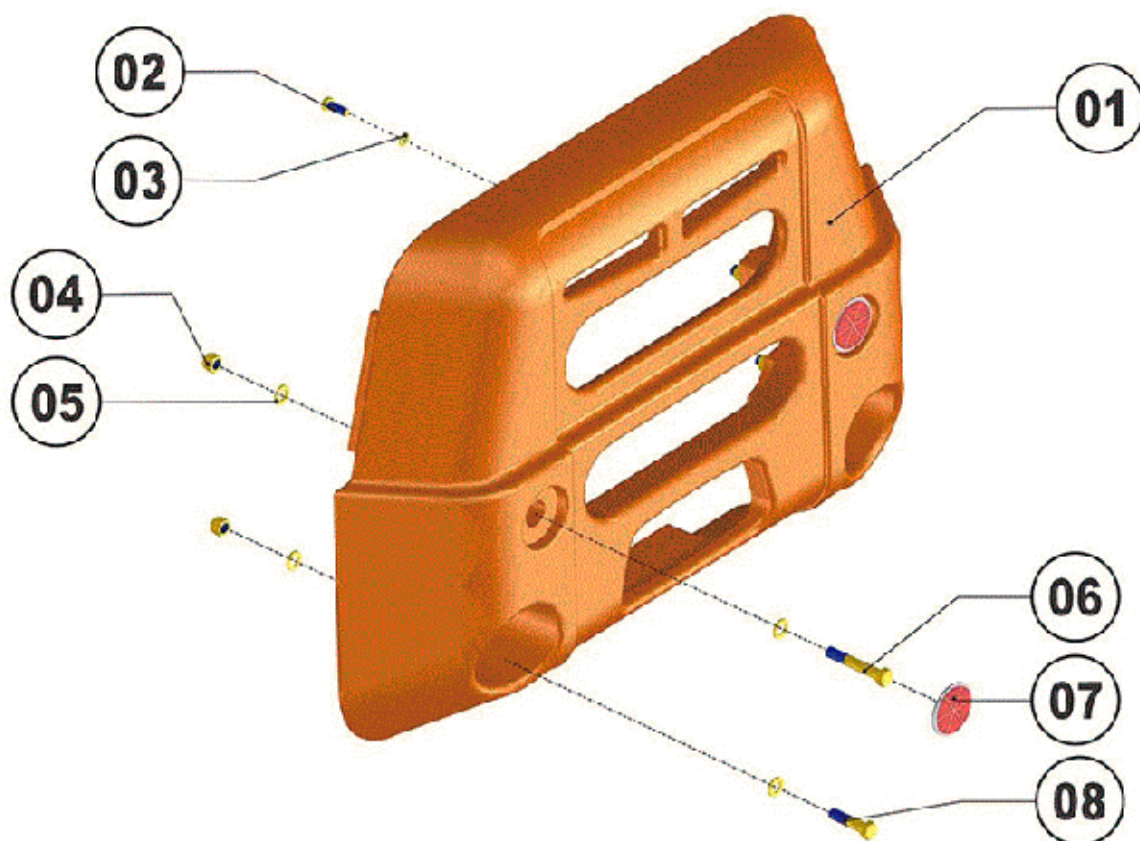


FIGURE	REFERENCE	DENOMINATION	AMOUNT
001	65.08310.01	ENGINE BALANCE WEIGHT 203KG	1
002	603.12025.86	SCREW DIN933	2
003	105.12000.66	WASHER DIN7980 D12	2
004	711.16000.66	NUT DIN982 M16 8.8 K	4
005	101.16000.66	WASHER DIN125 D16	8
006	604.16100.86	SCREW DIN931	4
007	10.11017.00	RED REFLECTOR	2
008	604.16065.86	BOLT DIN931 M16x65	2

## 09. MACHINE FUNCTIONS IMPLEMENTS HOPPER

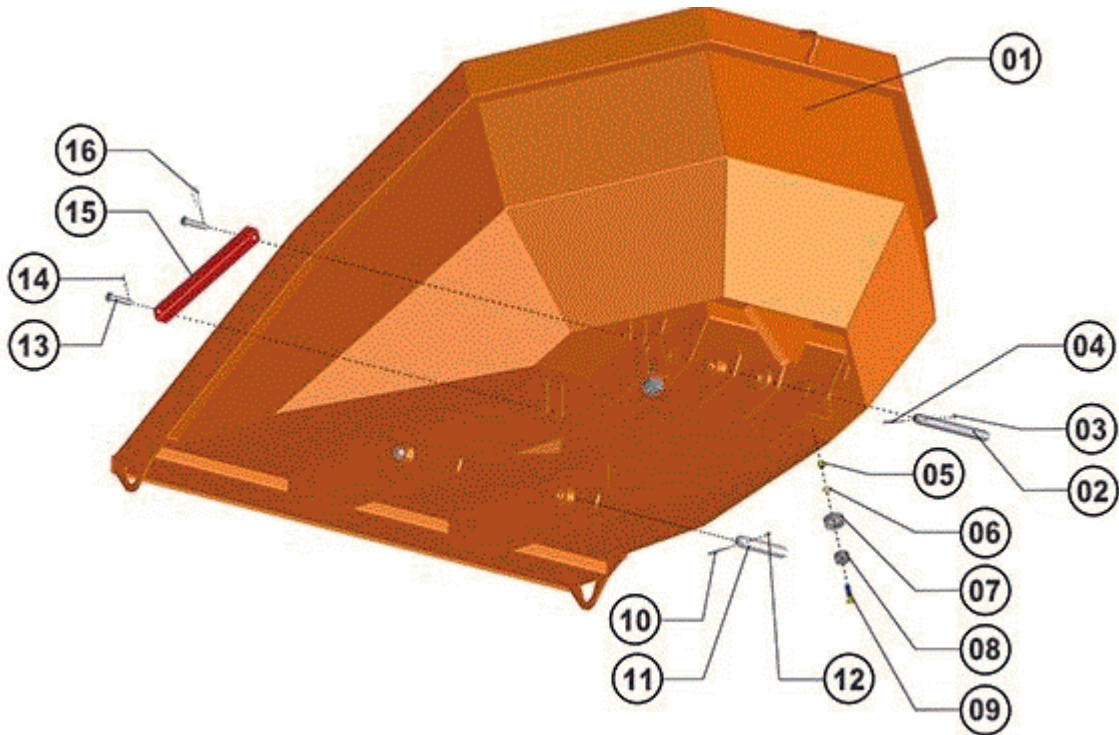


FIGURE	REFERENCE	DENOMINATION	AMOUNT
001	65.09200.01	BIN 400 AHG 299.2 Imperial gallons	1
002	64.09115.00	CYL/CYL AXLE 35X290	1
003	711.08000.66	NUT DIN982 M8	1
004	603.08075.86	SCREW DIN933	1
005	711.16000.66	NUT DIN982 M16 8.8 K	2
006	101.16000.66	WASHER DIN125 D16	2
007	20.03003.00	SHOCK ABSORVER SUPPORT	2
008	20.03002.00	BUTT	2
009	618.16060.86	FLAT HEAD SOCKET CAP SCREW DIN7991 M16x60	2
010	603.08075.86	SCREW DIN933	1
011	65.09110.00	AXLE	1
012	711.08000.66	NUT DIN982 M8	1
013	64.09216.00	SHAFT CYL/CYL 30x20x90	2
014	401.45040.60	SPLIT PIN DIN94	1
015	64.09215.00	SUPPORT 50x50x5, HOSE GUIDE	1
016	15.00836.00	PIN DIN11024 R4	1

## 09. MACHINE FUNCTIONS IMPLEMENTS

### SKIP LIFTING RAM

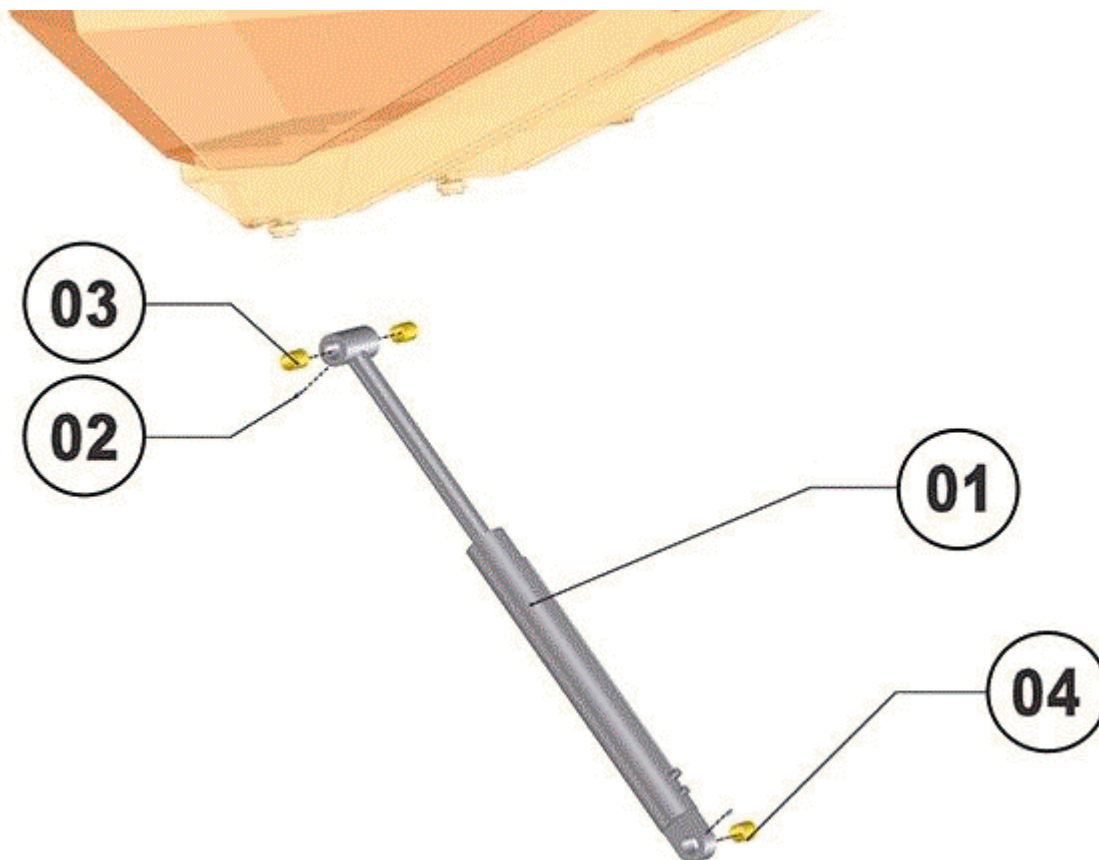


FIGURE	REFERENCE	DENOMINATION	AMOUNT
001	65.09510.00	CYLINDER 72x1480	1
002	901.08000.33	GREASER DIN71412-A M8x1,25	2



## 09. MACHINE FUNCTIONS IMPLEMENTS SYSTEM TURN

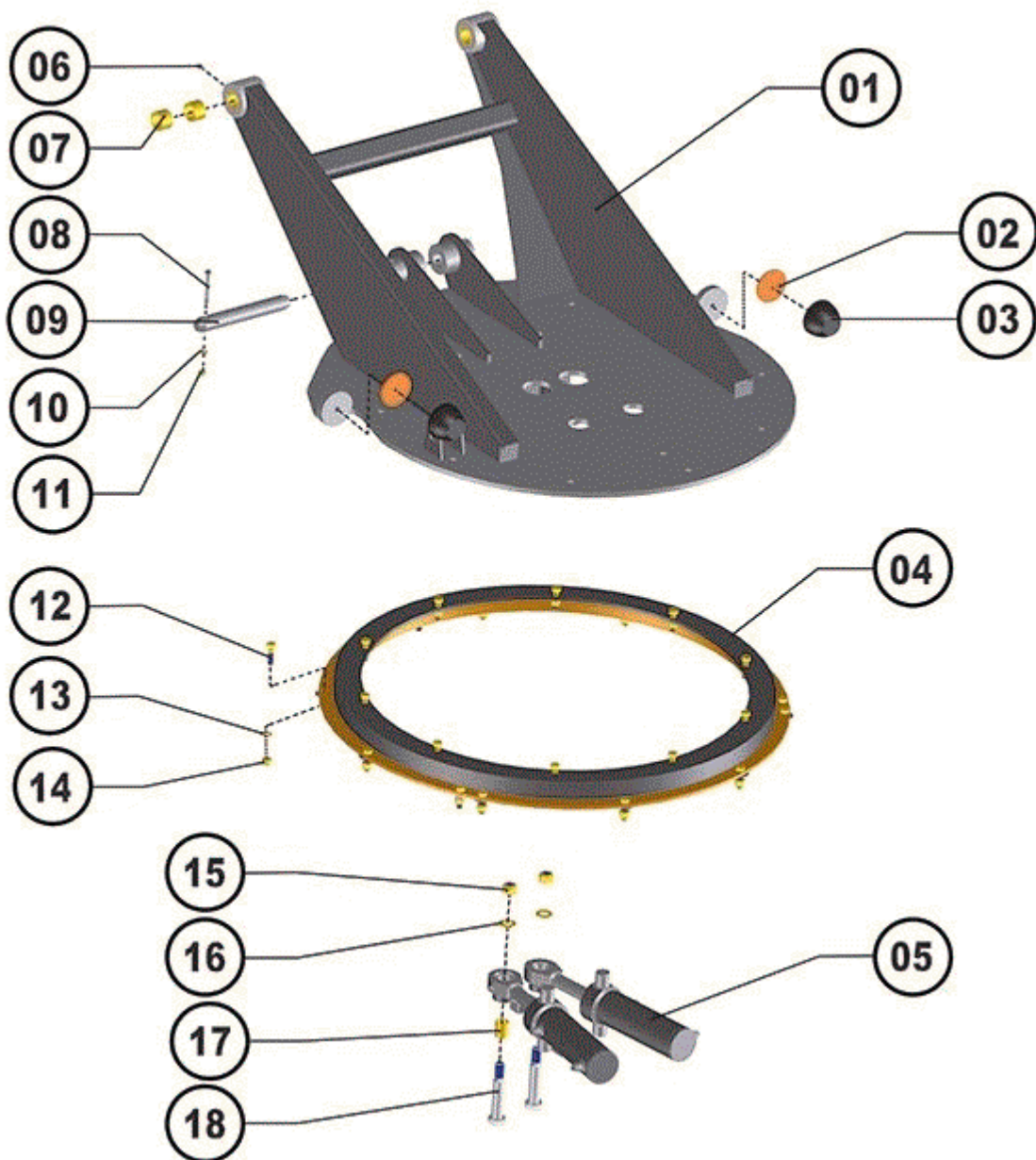


FIGURE	REFERENCE	DENOMINATION	AMOUNT
001	65.09600.02	SUPPORT 1378X1107X680	1
002	32.08021.00	PROGRESSIVE SHOCK TOP	2
003	32.08021.00	PROGRESSIVE SHOCK TOP	2
004	65.09621.00	WHEEL 1050x865x52	1
005	64.09214.03	CYLINDER D/E 70X152X351	2
006	901.08000.33	GREASER DIN71412-A M8x1,25	2
007	949.04030.00	BUSHING 40x44x30 DIN 1494	4
008	603.08075.86	SCREW DIN933	1
009	65.09623.00	CYL/CYL AXLE 35X248	1
010	101.08000.66	WASHER DIN125 D8	1

011	711.08000.66	NUT DIN982 M8	1
012	604.12045.96	SCREW DIN931 M12x45	12
013	101.12000.66	WASHER DIN125 D12	12
014	711.12000.66	NUT DIN982 M12	12
015	711.20000.66	NUT	2
016	101.20000.66	WASHER DIN125	2
017	64.04230.00	BUSHING 2.5x25x30	2
018	64.04225.00	SHAFT 36x20x140	2



## 09. MACHINE FUNCTIONS IMPLEMENTS

### SYSTEM TURN

CHASSIS: 80612

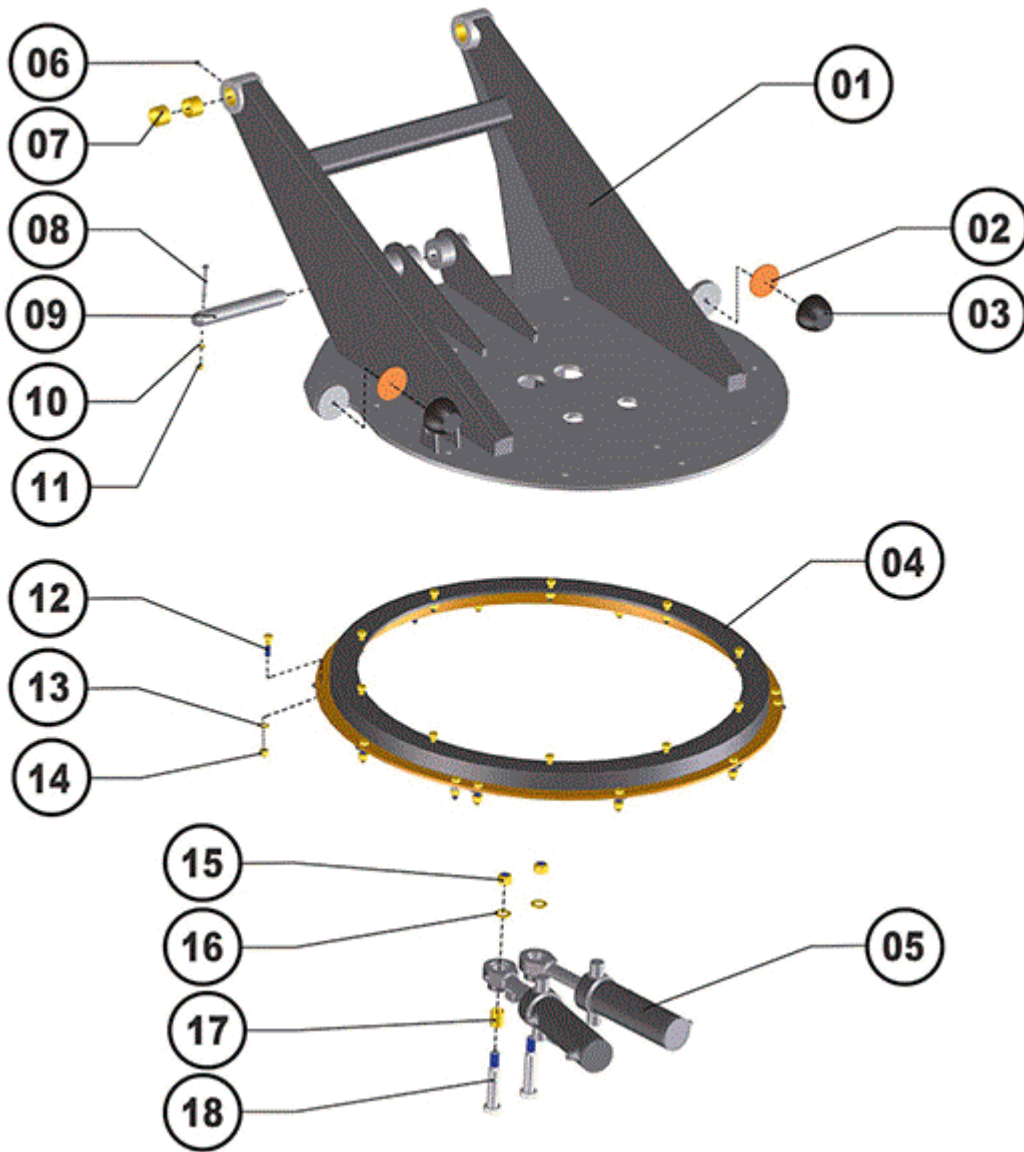


FIGURE	REFERENCE	DENOMINATION	AMOUNT
001	65.09600.02	SUPPORT 1378X1107X680	1
003	64.08021.00	PROGRESSIVE SHOCK ABSORBER	2
004	65.09621.00	WHEEL 1050x865x52	1
005	64.09214.03	CYLINDER D/E 70X152X351	2
006	901.08000.33	GREASER DIN71412-A M8x1,25	2
007	949.04030.00	BUSHING 40x44x30 DIN 1494	4
008	603.08075.86	SCREW DIN933	1
009	65.09623.00	CYL/CYL AXLE 35X248	1
010	101.08000.66	WASHER DIN125 D8	1
011	711.08000.66	NUT DIN982 M8	1
012	604.12045.96	SCREW DIN931 M12x45	12

013	101.12000.66	WASHER DIN125 D12	12
014	711.12000.66	NUT DIN982 M12	12
015	711.20000.66	NUT	2
016	101.20000.66	WASHER DIN125	2
017	64.04230.00	BUSHING 2.5x25x30	2
018	64.04225.00	SHAFT 36x20x140	2

**COMMENTS**

---

mod 4977

## 10. HYDRAULIC INSTALLATION SERVICE DIAGRAM

00. KIT HIDRÁULICO ACCIONAMIENTOS D450AHG  
D450 AHG ATTACHMENTS HYDRAULIC KIT

00M. KIT HIDRÁULICO MOTOR  
ENGINE HYDRAULIC KIT

00G. KIT GIRATÓRIO  
ROTATION KIT

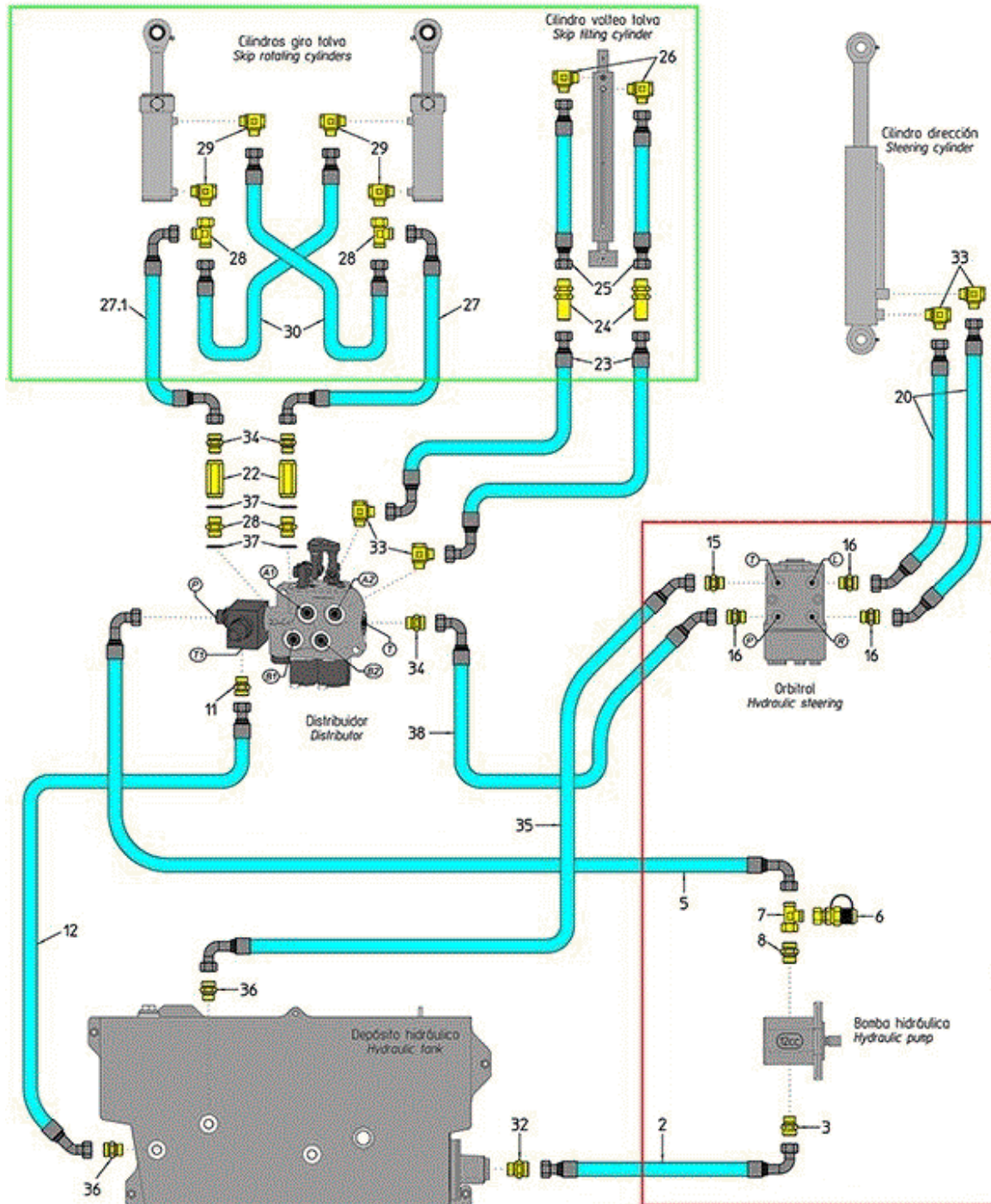


FIGURE	REFERENCE	DENOMINATION	AMOUNT
000	65.10600.05	HYDRAULIC KIT	1
000G	65.10100.00	PIPES KIT	1
000M	65.10700.02	ENGINE HYDRAULIC KIT	1

001	64.10301.00	FITTING M/M M16X1,5 - 1/4GAS	1
002	65.10825.00	HYDRAULIC HOSE R1T3/4 880 TL-C90M30	1
003	70.10221.00	FITTING M/M M30x1/2BSP	1
004	70.10249.00	FITTING C90M/M 3/8GAS-M18x1,5	2
005	65.10826.02	TUBE R2T3/8880 C90/C90M18X1,5	1
006	70.10226.00	FITTING M/TL M16x2- M18x1,5	1
007	70.10223.00	FITTING M/M/TL M18x1,5	1
008	70.10222.00	FITTING M/M M18x3/8BSP	3
011	70.10253.00	FITTING	1
012	65.10803.02	TUBE R1T1/21475 TL-C45/M22X1	1
013	65.10804.00	HYDRAULIC HOSE R2T3/8 2100 C90-C45M18	1
014	65.10805.00	HYDRAULIC HOSE R1T1/2 1500 C90-C45M22	1
015	46.10824.00	FITTING	2
016	70.10229.00	FITTING	3
020	65.10807.00	HYDRAULIC HOSE R2T3/8 730 TL-C45M18	2
021	08.00317.00	METALLIC GASKET BUNA D3/8	4
022	64.10326.03	VALVE 3/8	2
023	65.10808.00	HYDRAULIC HOSE R1T5/16 2830 TLM16-C90M1	2
024	70.10261.00	FITTING M/M M16-1.5	2
026	65.10827.00	RACOR	2
027	65.10810.00	HYDRAULIC HOSE R1T5/16 2540 C90M16-C90M	1
028	46.10401.00	FITTING	2
028	08.00319.00	NIPPLE M/M	2
029	70.10232.00	FITTING C90M/M M16-1.5x1/4BSP	4
030	65.10811.00	HYDRAULIC HOSE R1T1/4 550 TL-TLM16X1,5	2

# 10. HYDRAULIC INSTALLATION

## SERVICE DIAGRAM

CHASSIS: 84780

000A. KIT HIDRÁULICO ACCIONAMIENTOS / HYDRAULIC DRIVE KIT

000B. KIT GIRATORIO / ROTATION KIT

000C. KIT HIDRÁULICO MOTOR / ENGINE HYDRAULIC KIT

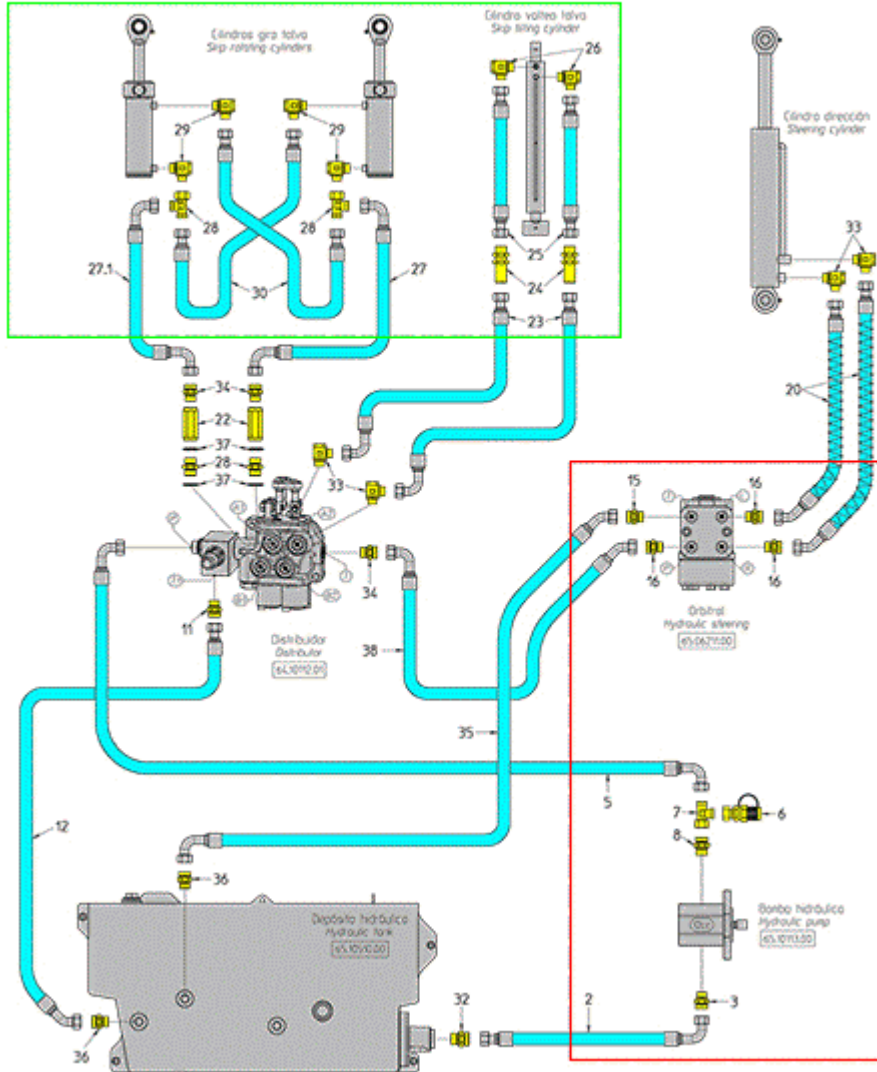


FIGURE	REFERENCE	DENOMINATION	AMOUNT
000A	65.10600.06	TRANSMISSION HYDRAULIC KIT	1
000B	65.10100.00	PIPES KIT	1
000C	65.10700.02	ENGINE HYDRAULIC KIT	1
001	70.10200.00	METAL GASKET BUNA 1"	3
002	65.10821.00	"FITTING M/TL 1""G"	1
003	65.10828.00	"FITTING C90M/TL 1""G CONE 60°"	2
004	65.10824.00	RACORD	2
005	65.10823.01	LLAVE DE PASO DE 2 VIAS B/P	1
006	65.10820.00	HYDRAULIC HOSE R1T1 TL-C45°1 450	1
007	65.10829.00	RACOR M/M	1
008	52.00317.00	GASKET	1

009	70.10202.00	FITTING C90M/M 11/4G - 11/4G	1
011	70.10253.00	FITTING	1
012	65.10803.02	TUBE R1T1/21475 TL-C45/M22X1	1
013	65.10815.02	HYDRAULIC HOSE 4SH 3/4 510 BD90-BD90	1
014	65.10816.05	HOSE	1
015	70.10212.00	CLAMP SAE6000 3/4	1
016	201.25032.50	SAE O-RING 3/4"	1
017	20.10256.00	CLAMP	1
018	46.10845.00	CLAMP SAE6000 1	2
019	32.10804.00	"RACOR MB/M "	1
020	65.10807.01	HYDRAULIC HOSE R2T3/8 1450 TL-C45M18	2
021	70.10210.00	FITTING M/M M26xM22	1
022	64.10326.03	VALVE 3/8	2
023	65.10819.01	HYDRAULIC HOSE R1T5/8 720 C90TL	1
024	65.10818.01	HYDRAULIC HOSE R1T5/8 1480 C90TL	1
025	70.10207.00	FITTING	2
026	65.10817.00	HYDRAULIC HOSE R1T5/8 1360 C90-C90M26	1
027	70.10230.00	FITTING	1
028	08.00319.00	NIPPLE M/M	2
029	48.10224.00	RACOR M/M -3/4"BSP / M30X2	1
030	46.58004.01	RACOR C90M/TL M30-M30 SERIE PE	1
032	64.10301.00	FITTING M/M M16X1,5 - 1/4GAS	1
033	48.10934.00	FITTING	2
034	70.10222.00	FITTING M/M M18x3/8BSP	3
035	65.10805.00	HYDRAULIC HOSE R1T1/2 1500 C90-C45M22	1

## 10. HYDRAULIC INSTALLATION

### SERVICE DIAGRAM

CHASSIS: 84780

FIGURE	REFERENCE	DENOMINATION	AMOUNT
036	46.10824.00	FITTING	2
037	08.00317.00	METALLIC GASKET BUNA D3/8	4
038	65.10804.00	HYDRAULIC HOSE R2T3/8 2100 C90-C45M18	1



## 10. HYDRAULIC INSTALLATION DISTRIBUTOR

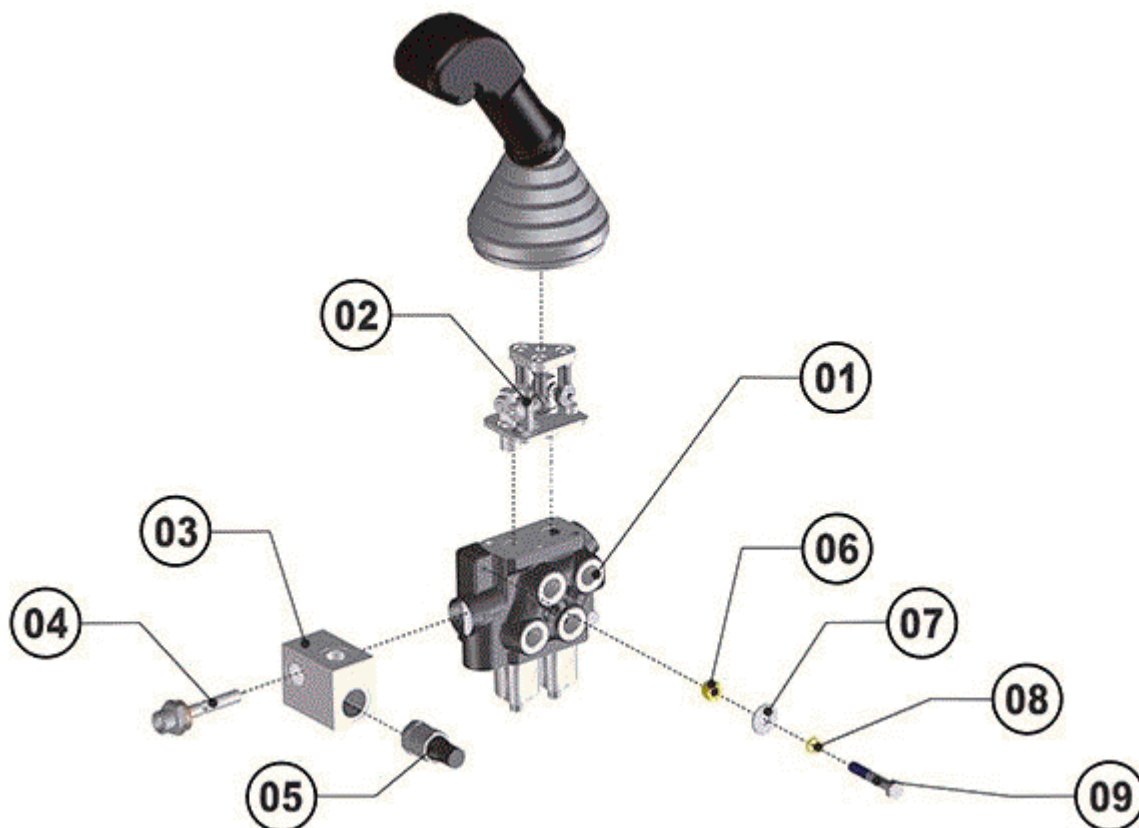


FIGURE	REFERENCE	DENOMINATION	AMOUNT
001	64.10112.01	CONTROL VALVE 2E	1
002	BODO55513629R05	KIT HEADS	1
003	BO4K01ESG38001R05	VALVE G3/8	1
004	BO29802218015R10	SCREW	1
005	BO5KPAB1Z170P01R05	FITTING M18x1,5	1
006	711.08000.66	NUT DIN982 M8	2
007	112.08000.66	WASHER DIN9021 D8	2
008	104.08000.00	WASHER DIN7980 D8	2
009	604.08050.86	SCREW DIN931	2



## 10. HYDRAULIC INSTALLATION

### DISTRIBUTOR

CHASSIS: 84169

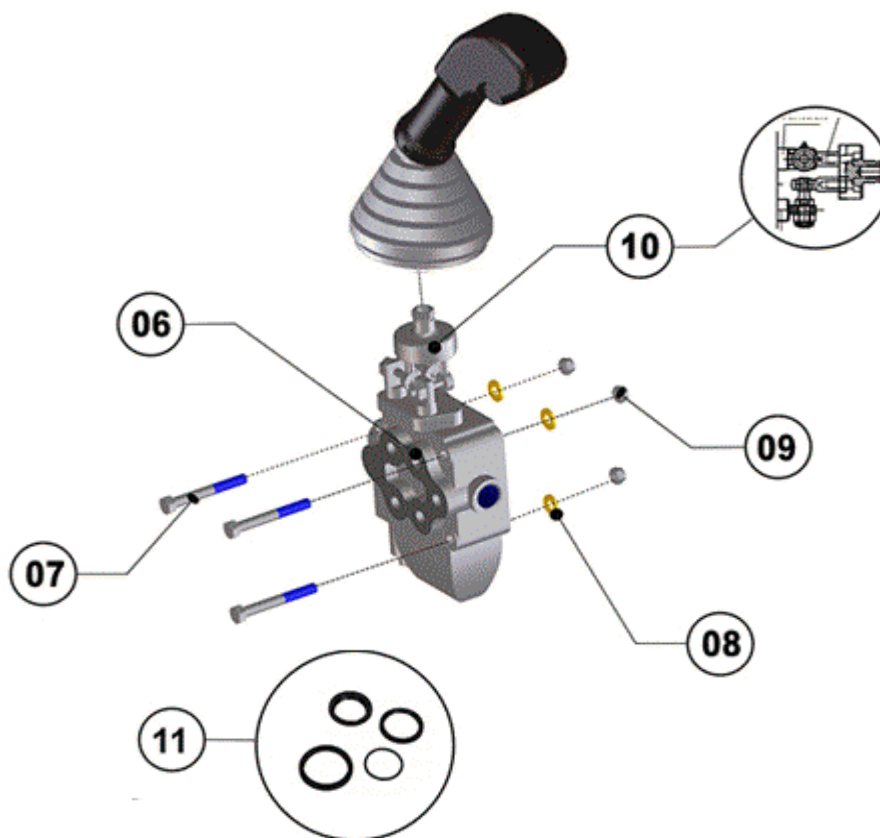


FIGURE	REFERENCE	DENOMINATION	AMOUNT
006	64.10112.00	CONTROL VALVE 2E	1
007	601.08065.86	SCREW DIN912 M8x65	3
008	101.08000.66	WASHER DIN125 D8	3
009	711.08000.66	NUT DIN982 M8	3
010	RQN1670/823	L-BALLS KIT	1
011	64.10112.99	GASKET KIT	1

## 10. HYDRAULIC INSTALLATION HYDRAULIC TANK

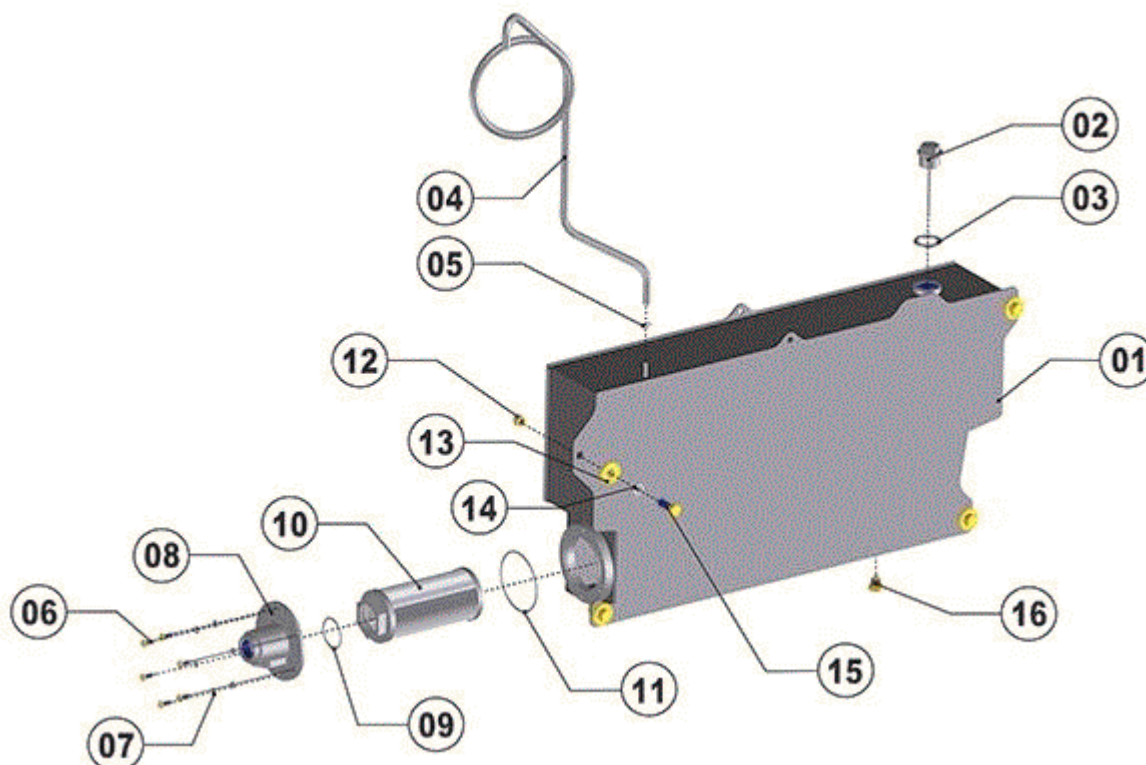


FIGURE	REFERENCE	DENOMINATION	AMOUNT
001	65.10510.00	OIL TANK	1
002	46.10052.00	DIPSTICK 1 D5x85	1
003	43.13444.00	GASKET MET. BUNA	1
004	469.03014.00	HOSE L/P MAT. 8x14	1
005	912.08016.66	CLAMP DIN3017	1
006	603.06015.86	SCREW DIN933 M6x15	6
007	105.06000.66	CIR-CLIP DIN7980	6
008	43.70406.01	AD. FILTER SUPPORT	1
009	201.46003.50	O-RING DIN3770 46x52x3	1
010	58.01810.00	HIDRAULIC CATRIDGE INTANK	1
011	201.95003.50	O-RING DIN3770	1
012	701.12000.66	NUT DIN934 M12x1.75	4
013	112.12000.66	WASHER DIN9021 D 12X36	4
014	105.12000.66	WASHER DIN7980 D12	4
015	604.12035.86	SCREW DIN931 M12x35	4
016	00.02803.00	SCREW DIN910*	1

## 10. HYDRAULIC INSTALLATION OIL TANK

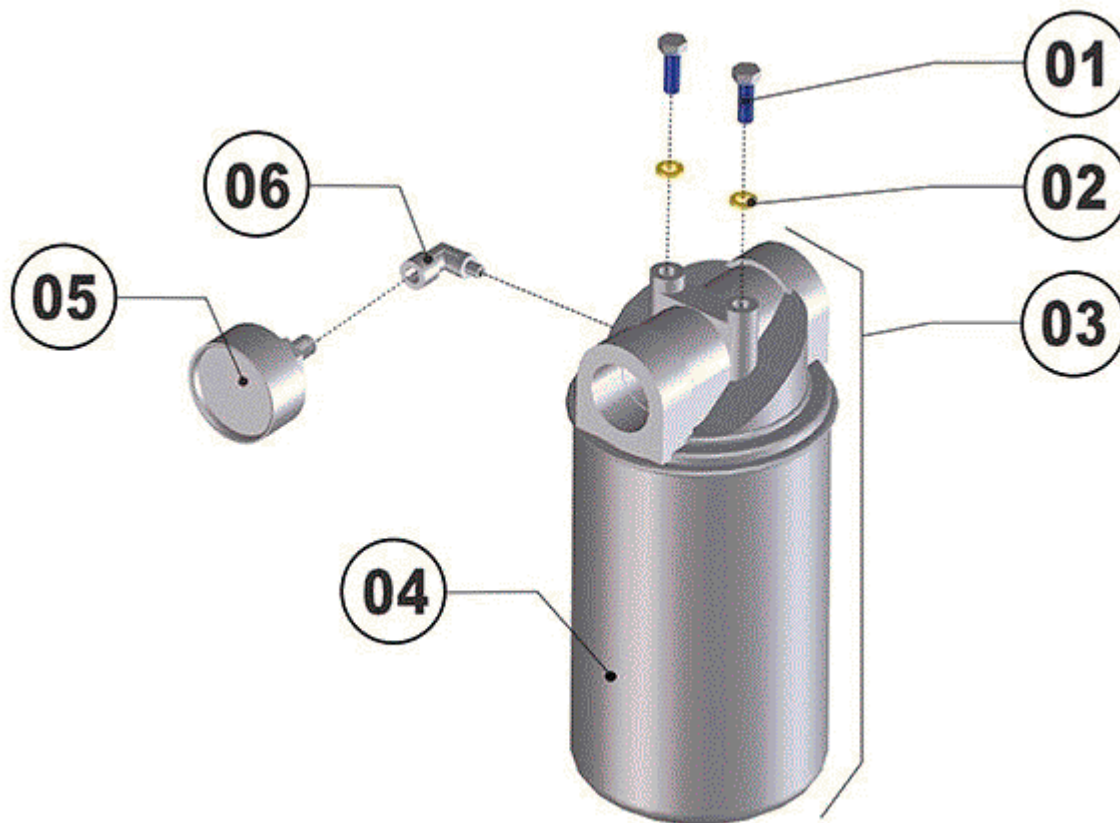


FIGURE	REFERENCE	DENOMINATION	AMOUNT
001	603.08020.86	SCREW DIN933 M8x20	2
002	104.08000.00	WASHER DIN7980 D8	2
003	60.20101.00	COMPLETE OIL FILTER	1
004	60.20100.00	FILTER ELEMENT	1
005	60.20102.00	INDICATOR	1
006	10.02144.00	ELBOW C90M/H NIPPLE	1

# 11. ELECTRIC INSTALLATION JOYSTICK

**1** Joystick completo  
Full joystick

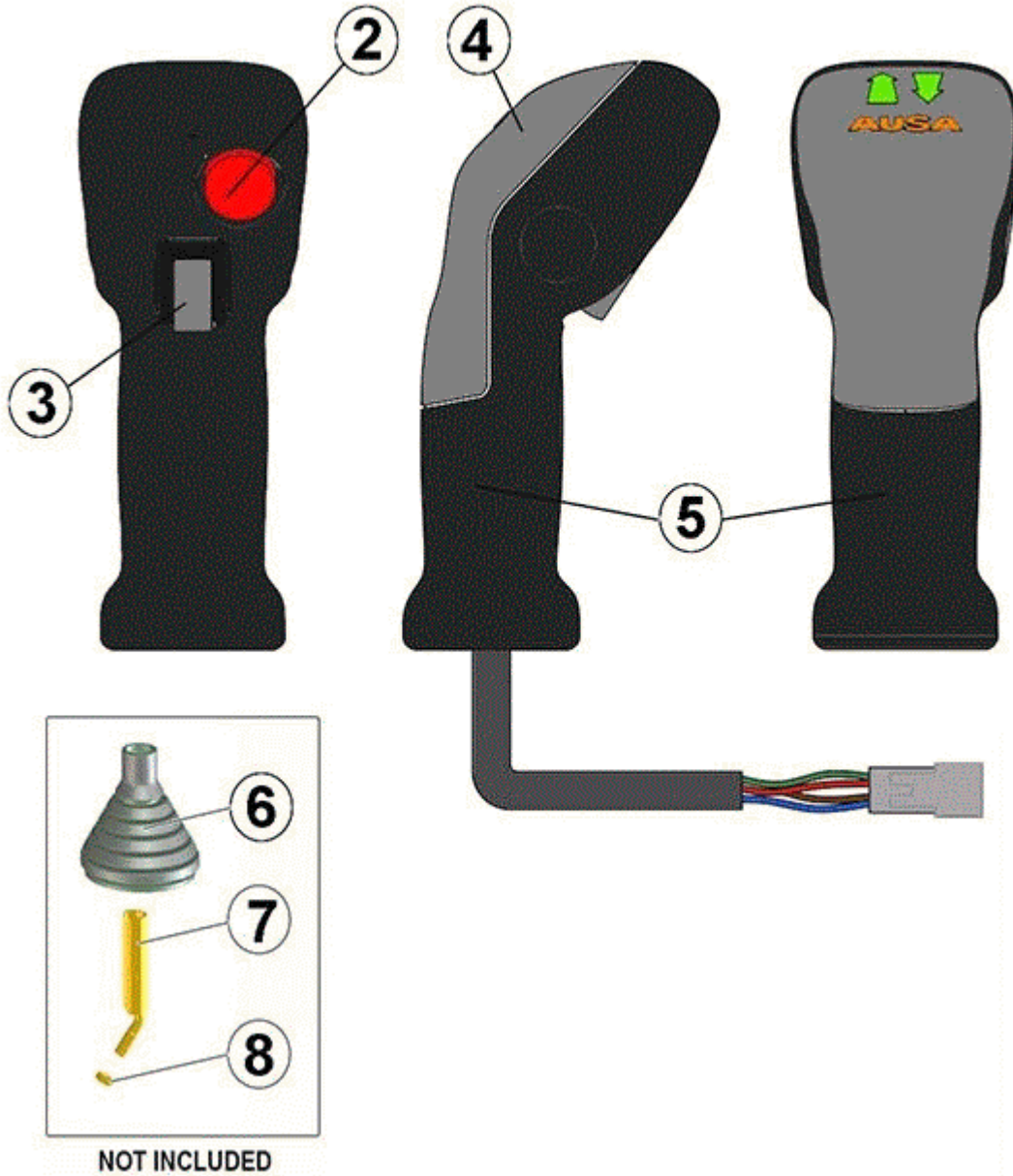


FIGURE	REFERENCE	DENOMINATION	AMOUNT
001	65.11007.00	LEVER, CONTROL	1
002	10.14323.00	2ND SPEED BUTTON	1
003	10.14329.01	SWITCH OTTO F-N-R	1
004	12.11013.02	TOP COVER JOYSTICK	1
005	N/S	NOT DISTRIBUTED	1
006	43.50349.00	DUST PROTECTOR	1
007	10.13154.02	AXIS CIL/ROS 180XD25XM10	1
008	701.10000.66	NUT DIN934 M10x1.5	1

# 11. ELECTRIC INSTALLATION

## JOYSTICK

CHASSIS: 85686

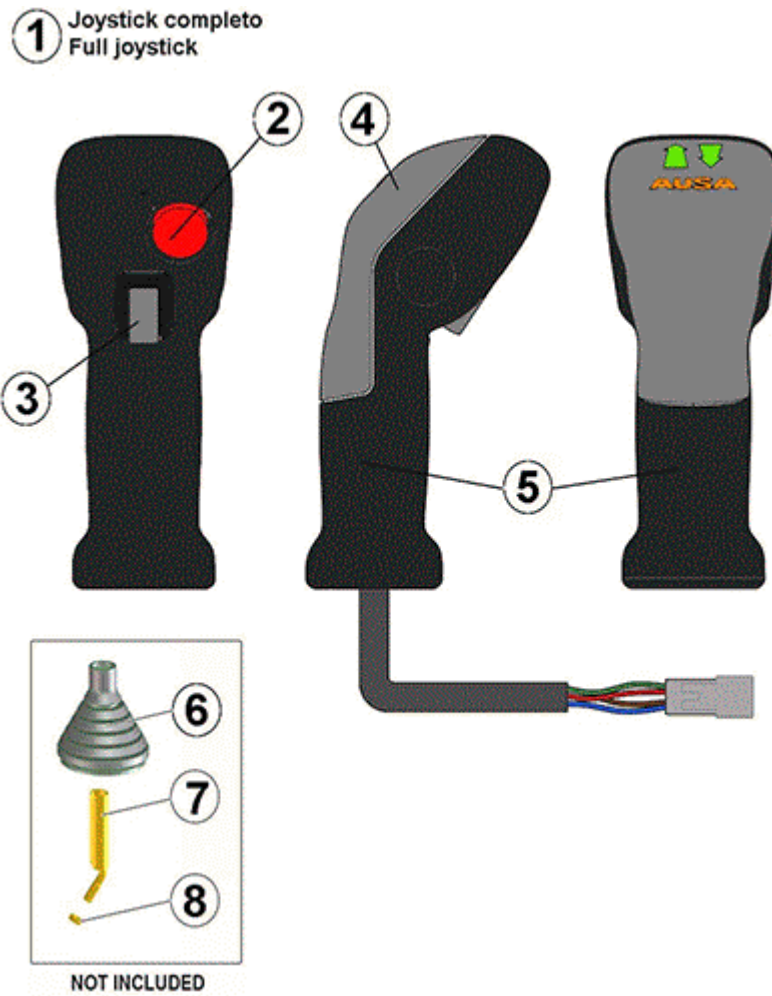


FIGURE	REFERENCE	DENOMINATION	AMOUNT
001	65.11007.01	JOYSTICK	1
002	10.14323.00	2ND SPEED BUTTON	1
003	10.14329.01	SWITCH OTTO F-N-R	1
004	12.11013.02	TOP COVER JOYSTICK	1
005	N/S	NOT DISTRIBUTED	1
006	43.50349.00	DUST PROTECTOR	1
007	10.13154.02	AXIS CIL/ROS 180XD25XM10	1
008	701.10000.66	NUT DIN934 M10x1.5	1

## 11. ELECTRIC INSTALLATION ROTATING BEACON

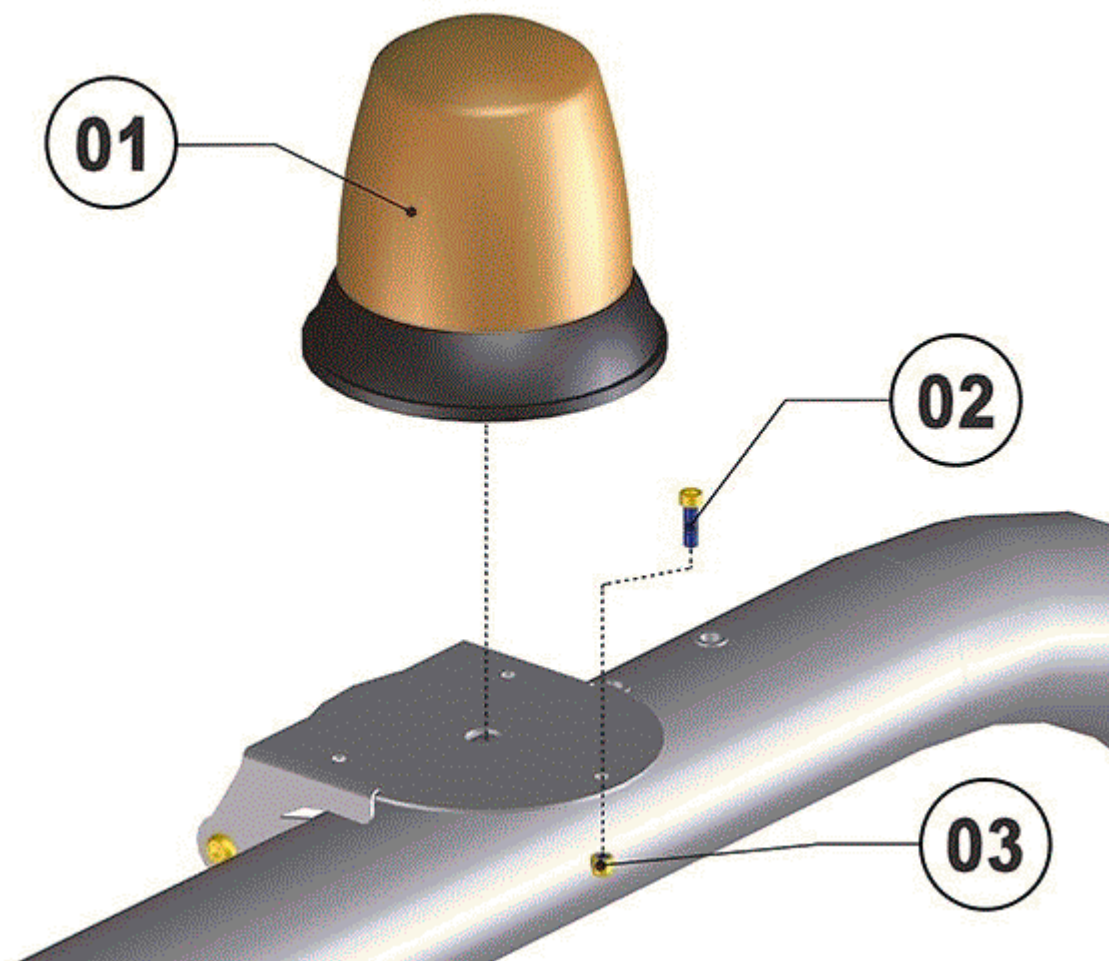
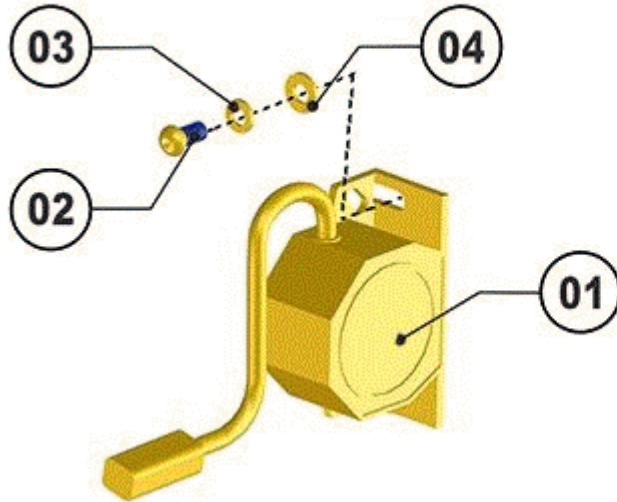


FIGURE	REFERENCE	DENOMINATION	AMOUNT
001	01.00921.02	ROTATING LIGHT BRITAX	1
002	601.06020.86	SCREW DIN912	3
003	711.06000.66	NUT DIN982 M6	3



## 11. ELECTRIC INSTALLATION BUZZERS

AVISADOR ACÚSTICO MARCHA ATRÁS/  
BACK UP ACOUSTIC ALARM



CLÁXON /  
HORN

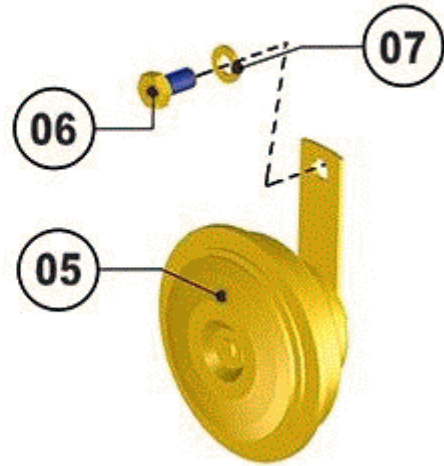


FIGURE	REFERENCE	DENOMINATION	AMOUNT
001	70.11326.00	REVERSE BREAK ACOUSTIC WARNING	1
002	630.08015.96	SCREW ISO7380	2
003	105.08000.66	CIR-CLIP EXT. DIN7980 D8	2
004	101.08000.66	WASHER DIN125 D8	2
005	70.11309.00	HORN	1
006	603.08015.86	SCREW DIN933 M8x15	1
007	105.08000.66	CIR-CLIP EXT. DIN7980 D8	1

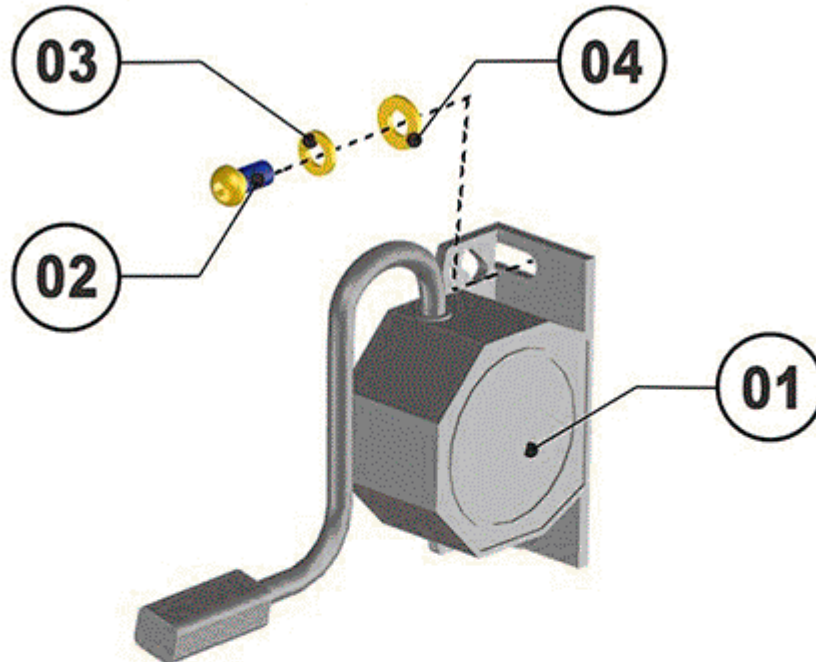


## 11. ELECTRIC INSTALLATION

### BUZZERS

CHASSIS: 80230

#### AVISADOR ACÚSTICO MARCHA ATRÁS/ BACK UP ACOUSTIC ALARM



#### CLÁXON / HORN

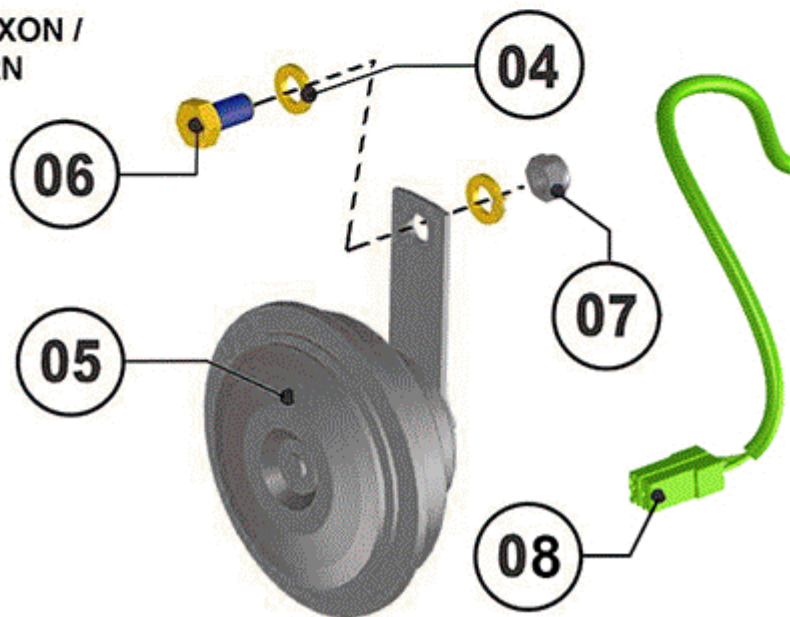


FIGURE	REFERENCE	DENOMINATION	AMOUNT
001	70.11326.00	REVERSE BREAK ACOUSTIC WARNING	1
002	630.08015.96	SCREW ISO7380	2
003	105.08000.66	CIR-CLIP EXT. DIN7980 D8	2
004	101.08000.66	WASHER DIN125 D8	4
005	70.11309.00	HORN	1
006	603.08015.86	SCREW DIN933 M8x15	1
007	711.08000.66	NUT DIN982 M8	1

008

35.11105.00

ROTARY LIGHT I/E HARNESS

1

## 11. ELECTRIC INSTALLATION BATTERY

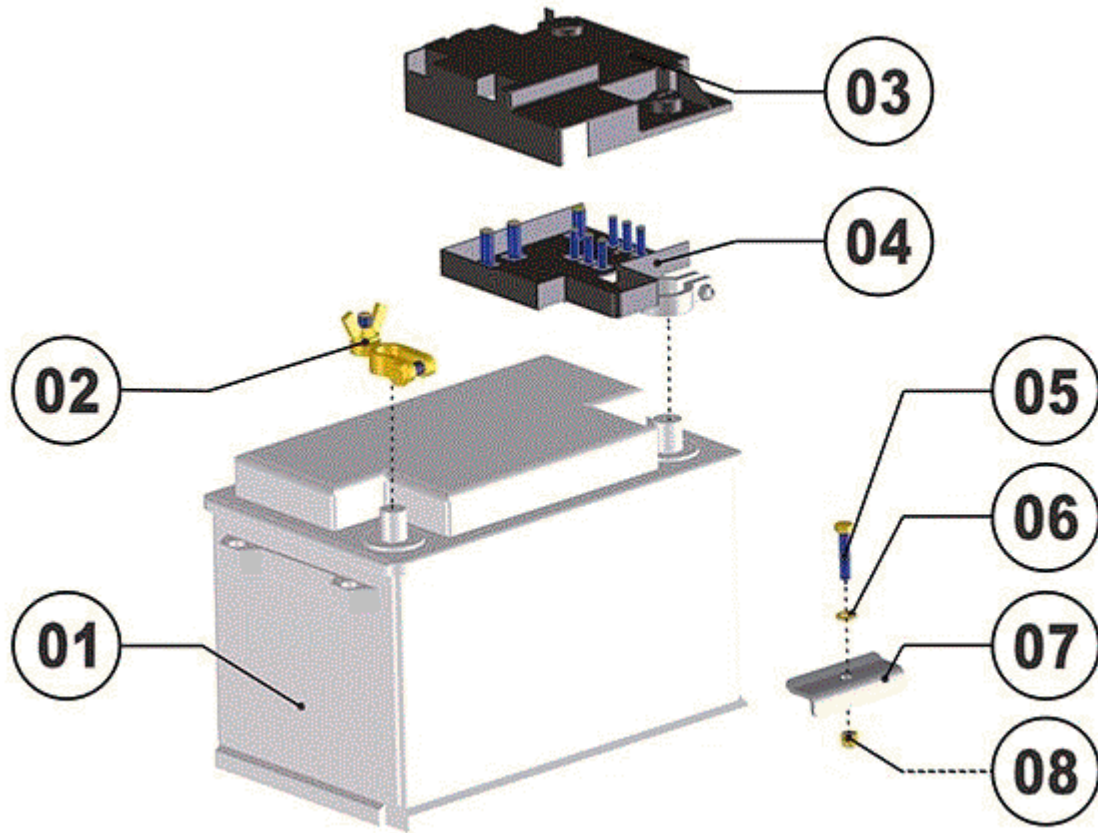


FIGURE	REFERENCE	DENOMINATION	AMOUNT
001	15.01411.00	BATTERY 12VX70AH	1
002	20.11007.01	NEGATIVE BATTERY CONNECTOR	1
003	20.11014.00	BATTERY FUSEBOX COVER	1
004	20.11009.00	BATTERY FUSE BOX	1
005	603.06030.86	SCREW DIN933 M6x30	1
006	101.06000.66	WASHER DIN125 D6	1
007	20.11101.00	FIXATION SUPPORT 2X10X70	1
008	711.08000.66	NUT DIN982 M8	1

## 11. ELECTRIC INSTALLATION LIGHTING PANEL



FIGURE	REFERENCE	DENOMINATION	AMOUNT
001	70.11323RE01	KIT OF / LIGHTS AHG C / DIGICODE	1
003	IM.20026.03	MICRO RELAY WITH DIODE	4
004	IM.20025.00	INTERMITTENCE BOX	1
005	70.11315.00	WIRE HARNESS, LIGHTS PANEL	2
006	IM.20024.00	SWITCH	1
007	IM.20037.00	SWITCH, WARNING	1
008	70.11328.00	horn switch	1
009	70.11327.00	SWITCH ROTARY FARO	1
010	IM.20040.00	HOURMETER	1
011	IM.20022.00	FUSE BOX	1
012	70.11301.00	I/E PANEL AMA	1
013	70.11325.00	SUPPORT, DASHPANEL RELAYS	1
014	IM.20032.00	KEY	1
015	70.11335.00	INDICATOR, BATTERY ALARM	1
016	70.11336.00	INDICATOR, LIGHTS ALARM	1
017	70.11012.00	SUPPORT	1
018	70.11011.00	SUPPORT, FUSES PLATE	1
019	12.11033.00	HORN KPE650	1

## 11. ELECTRIC INSTALLATION

### LIGHTING PANEL

FIGURE	REFERENCE	DENOMINATION	AMOUNT
020	12.11030.00	SOP. FIJACION INTERRUPTOR	1

## 11. ELECTRIC INSTALLATION

### LIGHTING PANEL

CHASSIS: 71590



FIGURE	REFERENCE	DENOMINATION	AMOUNT
001	70.11323RE01	KIT OF / LIGHTS AHG C / DIGICODE	1
002	70.11010.03		1
003	IM.20026.03	MICRO RELAY WITH DIODE	10
004	IM.20025.00	INTERMITTENCE BOX	1
005	70.11315.00	WIRE HARNESS, LIGHTS PANEL	2
006	IM.20024.00	SWITCH	1
007	IM.20037.00	SWITCH, WARNING	1
008	70.11328.00	horn switch	1
009	70.11327.00	SWITCH ROTARY FARO	1
010	IM.20040.00	HOURMETER	1
011	IM.20022.00	FUSE BOX	1
012	63.11102.00	ELECTRIC WIRE CONTROL INSTRUMENT	1
013	70.11325.00	SUPPORT, DASHPANEL RELAYS	1
014	IM.20032.00	KEY	1
015	70.11335.00	INDICATOR, BATTERY ALARM	1
016	70.11336.00	INDICATOR, LIGHTS ALARM	1
017	70.11012.00	SUPPORT	1
018	70.11011.00	SUPPORT, FUSES PLATE	1

## 11. ELECTRIC INSTALLATION

### LIGHTING PANEL

CHASSIS: 71590

FIGURE	REFERENCE	DENOMINATION	AMOUNT
019	12.11033.00	HORN KPE650	1
020	12.11030.00	SOP. FIJACION INTERRUPTOR	1
021	12.11024.00	SWITCH CAP	1
022	02.32022.00	CAP	1
023	43.50029.00	FUSIBLE 7.5A	1
024	43.50037.00	FUSE (5A)	2
025	43.50032.00	FUSE 15A	1
026	43.50030.00	FUSE 10A	1
027	64.11021.00	ELECTRIC WIRE	1
028	64.11020.00	SWITCH ON-OFF 1P IP67 10A	1
029	02.32016.00	CAP	1
030	64.12114.00	STIKER	1



## 11. ELECTRIC INSTALLATION

### LIGHTING PANEL

CHASSIS: 73031

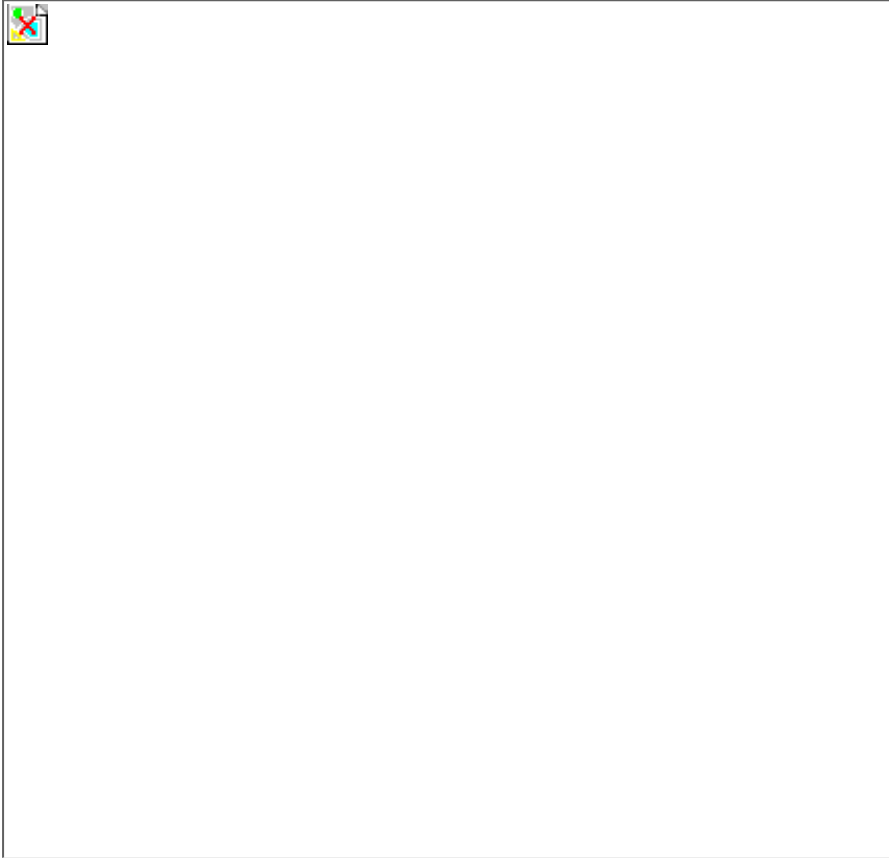


FIGURE	REFERENCE	DENOMINATION	AMOUNT
001	70.11323RE01	KIT OF / LIGHTS AHG C / DIGICODE	1
002	70.11010.03		1
003	IM.20026.03	MICRO RELAY WITH DIODE	10
004	IM.20025.00	INTERMITTENCE BOX	1
005	70.11315.00	WIRE HARNESS, LIGHTS PANEL	2
006	IM.20024.00	SWITCH	1
007	IM.20037.00	SWITCH, WARNING	1
008	70.11328.00	horn switch	1
009	70.11327.00	SWITCH ROTARY FARO	1
010	IM.20040.00	HOURMETER	1
011	IM.20022.00	FUSE BOX	1
012	63.11102.00	ELECTRIC WIRE CONTROL INSTRUMENT	1
013	70.11325.00	SUPPORT, DASHPANEL RELAYS	1
014	IM.20032.00	KEY	1
015	70.11335.00	INDICATOR, BATTERY ALARM	1
016	70.11336.00	INDICATOR, LIGHTS ALARM	1
017	70.11012.00	SUPPORT	1
018	70.11011.00	SUPPORT, FUSES PLATE	1

## 11. ELECTRIC INSTALLATION

### LIGHTING PANEL

CHASSIS: 73031

FIGURE	REFERENCE	DENOMINATION	AMOUNT
019	12.11033.00	HORN KPE650	1
020	12.11030.00	SOP. FIJACION INTERRUPTOR	1
021	12.11024.00	SWITCH CAP	1
022	02.32022.00	CAP	1
023	43.50029.00	FUSIBLE 7.5A	1
024	43.50037.00	FUSE (5A)	2
025	43.50032.00	FUSE 15A	1
026	43.50030.00	FUSE 10A	1
027	64.11023.00	DISABLED ELECTRIC WIRE	1
028	64.11090.01	SWITCH AUDIBLE WARNING	1
029	02.32016.00	CAP	1

# 11. ELECTRIC INSTALLATION

## LIGHTING PANEL

CHASSIS: 77860



FIGURE	REFERENCE	DENOMINATION	AMOUNT
001	70.11323.01	LIGHTS LEVER SWITCH	1
002A	70.11015.01		1
002B	70.11010.03		1
003	IM.20026.03	MICRO RELAY WITH DIODE	4
004	IM.20025.00	INTERMITTENCE BOX	1
005	70.11315.00	WIRE HARNESS, LIGHTS PANEL	2
006	IM.20024.00	SWITCH	1
007	IM.20037.00	SWITCH, WARNING	1
008	70.11328.00	horn switch	1
009	70.11327.00	SWITCH ROTARY FARO	1
010	IM.20040.00	HOURMETER	1
011	IM.20022.00	FUSE BOX	1
012	70.11301.00	I/E PANEL AMA	1
013	70.11325.00	SUPPORT, DASHPANEL RELAYS	1
014	IM.20032.00	KEY	1
015	70.11335.00	INDICATOR, BATTERY ALARM	1
016	70.11336.00	INDICATOR, LIGHTS ALARM	1
017	70.11012.00	SUPPORT	1

## 11. ELECTRIC INSTALLATION

### LIGHTING PANEL

CHASSIS: 77860

FIGURE	REFERENCE	DENOMINATION	AMOUNT
018	70.11011.00	SUPPORT, FUSES PLATE	1
019	12.11030.00	SOP. FIJACION INTERRUPTOR	1
020	70.11340.00	DIODES CONNECTOR	1
021	12.11024.00	SWITCH CAP	1
022	02.32022.00	CAP	1
023	43.50029.00	FUSIBLE 7.5A	1
024	43.50037.00	FUSE (5A)	2
025	43.50032.00	FUSE 15A	1
026	43.50030.00	FUSE 10A	1
027	64.11021.00	ELECTRIC WIRE	1
028	64.11020.00	SWITCH ON-OFF 1P IP67 10A	1
029	02.32016.00	CAP	1
030	64.12114.00	STIKER	1
031	70.11003.00	MAT. CIL. D15XD6X30	2
032	70.11343.00	SECTION I / E ADAPTER LEVER	1
033	70.11025.00	ADHESIVE FOAM SEALER	1

## 11. ELECTRIC INSTALLATION LIGHTS

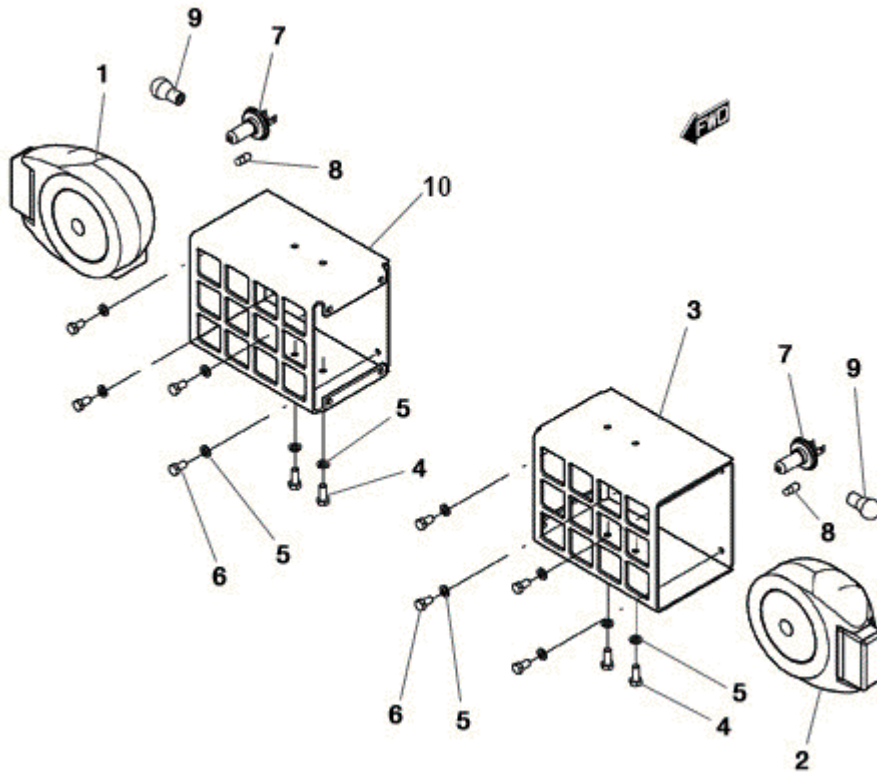


FIGURE	REFERENCE	DENOMINATION	AMOUNT
001	46.11061.00	RIGHT FRONT LIGHT	1
002	46.11062.00	LEFT FRONT LIGHT	1
003	64.11111.00	SUPPORT 160x20x266, LEFT LIGHT	2
004	603.08020.00	SCREW	4
005	104.08000.00	WASHER DIN7980 D8	12
006	603.08015.86	SCREW DIN933 M8x15	8
007	43.70337.00	BULB 12V 60/55W	2
008	43.70335.00	BULB 12V 14W	2
009	43.70336.00	BULB 12V 21W	2
010	64.11112.00	LIGHT SUPPORT 160X20X266 RIGHT	1

# 11. ELECTRIC INSTALLATION

## LIGHTS

CHASSIS: 78903



FIGURE	REFERENCE	DENOMINATION	AMOUNT
001	46.11061.00	RIGHT FRONT LIGHT	1
002	46.11062.00	LEFT FRONT LIGHT	1
003	64.11111.02	LIGHT SUPPORT 270X224X184X5 LEFT	1
005	104.08000.00	WASHER DIN7980 D8	12
006	603.08015.86	SCREW DIN933 M8x15	8
007	43.70337.00	BULB 12V 60/55W	2
008	43.70335.00	BULB 12V 14W	2
009	43.70336.00	BULB 12V 21W	2
010	64.11112.02	LIGHT SUPPORT 270X224X184X5 RIGHT	1

## 11. ELECTRIC INSTALLATION

### LIGHTS

CHASSIS: 82847

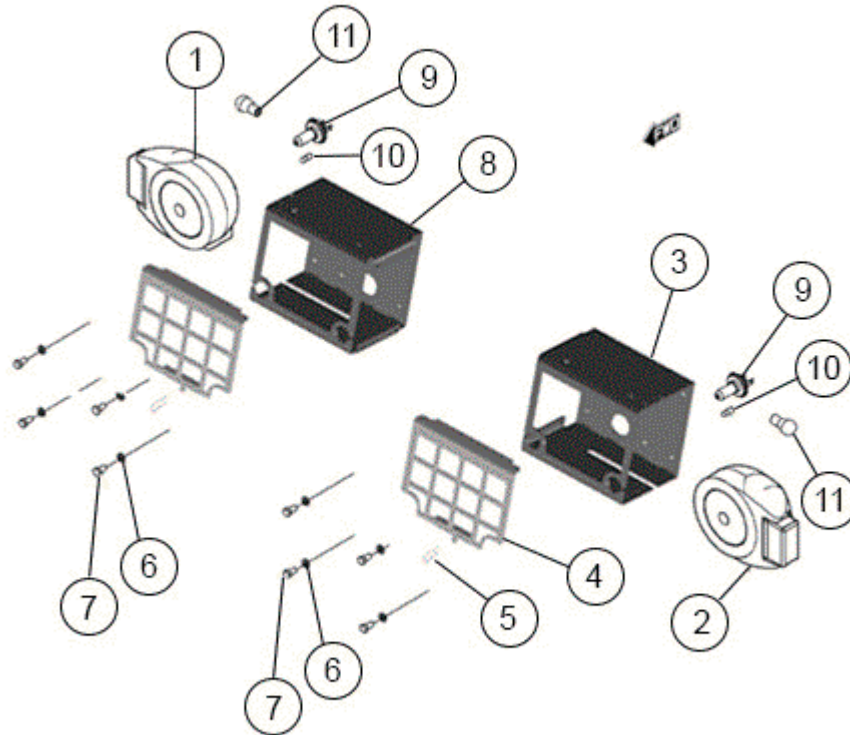


FIGURE	REFERENCE	DENOMINATION	AMOUNT
001	46.11061.00	RIGHT FRONT LIGHT	1
002	46.11062.00	LEFT FRONT LIGHT	1
003	64.11111.03		1
004	64.11138.00	LIGHT PROTECTOR	2
005	15.00836.01	PIN DIN11024	2
006	104.08000.00	WASHER DIN7980 D8	12
007	603.08015.86	SCREW DIN933 M8x15	8
008	64.11112.03		1
009	43.70337.00	BULB 12V 60/55W	2
010	43.70335.00	BULB 12V 14W	2
011	43.70336.00	BULB 12V 21W	2



## 11. ELECTRIC INSTALLATION

### NUMBER PLATE LAMP

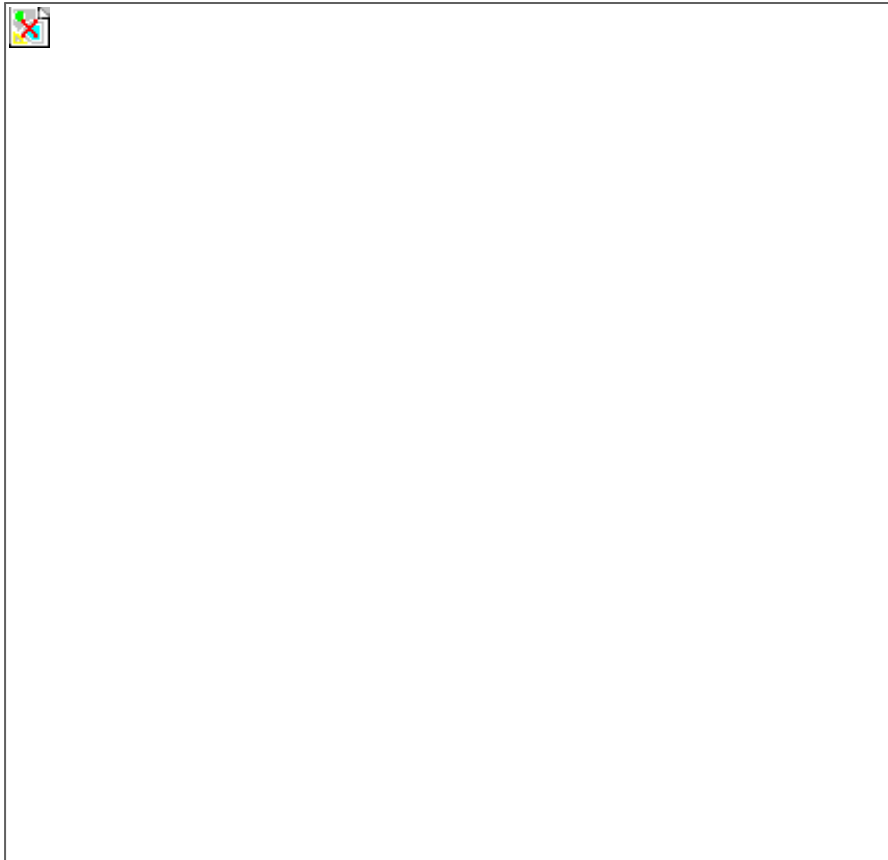


FIGURE	REFERENCE	DENOMINATION	AMOUNT
001	46.10755.00	NUMBER PLATE LIGHT	1
002	46.01324.00	LAMP 12V 5W	1

## 11. ELECTRIC INSTALLATION TAILLIGHTS

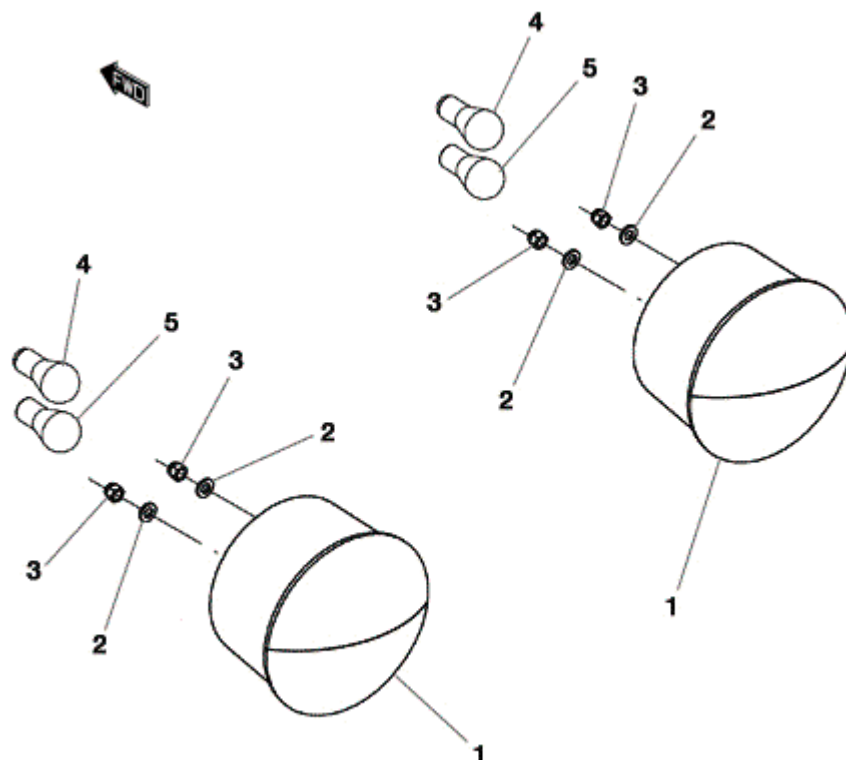


FIGURE	REFERENCE	DENOMINATION	AMOUNT
001	10.14211.00	POSITION-INTERMITTENCE-BRAKING WORKING LIGHTS	2
002	101.06000.66	WASHER DIN125 D6	4
003	711.06000.66	NUT DIN982 M6	4
004	31.01331.00	LAMP 12V 21W/5W	2
005	31.01329.00	LAMP 12V 21W	2

## 11. ELECTRIC INSTALLATION

### TAILLIGHTS CHASSIS: 82602

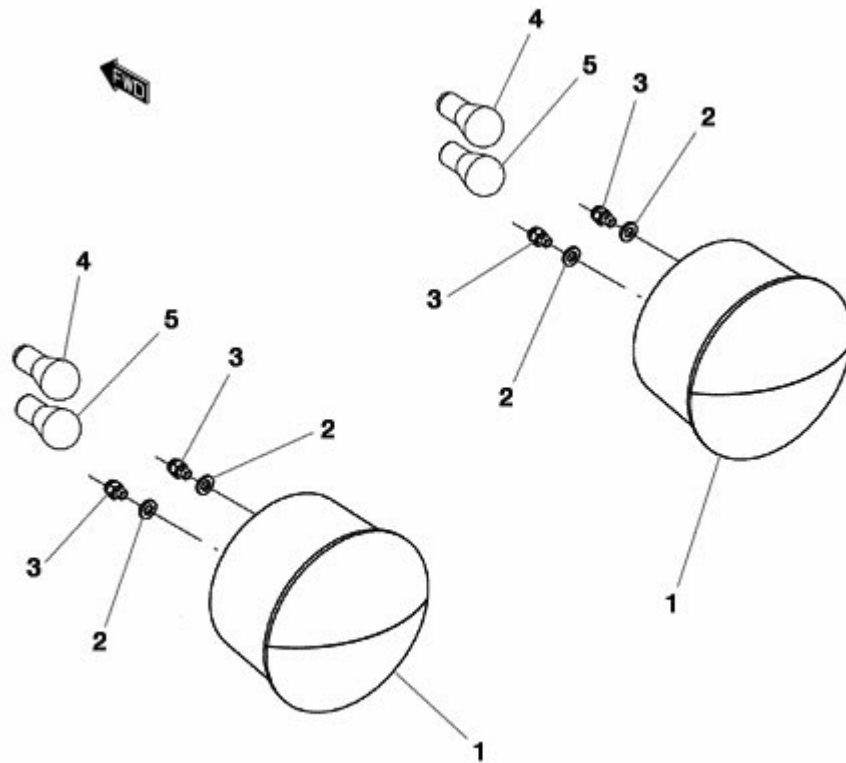


FIGURE	REFERENCE	DENOMINATION	AMOUNT
001	10.14211.00	POSITION-INTERMITTENCE-BRAKING WORKING LIGHTS	2
002	101.06000.66	WASHER DIN125 D6	4
003	66.11120.00	ECU BRR RC10-10/31	4
004	31.01331.00	LAMP 12V 21W/5W	2
005	31.01329.00	LAMP 12V 21W	2

## 12. FINISHES STANDARD STICKER (1)



FIGURE	REFERENCE	DENOMINATION	AMOUNT
001	65.12020.00	MODEL STICKER D450AHG	2
002	13.12136.02	ADHESIVE, AUSA 720x147	2
003	45.19101.00	PLATE AD. INDI	2
004	43.01356.00	PLATE AD. INDI	1
005	09.00769.00	PLATE AD. INDI	1
006	09.15720.00	PLATE AD. INDI	1
007	65.12004.00	ADHESIVE PLATE	1
008	01.00757.00	PLATE AD. INDI	1
009	60.22350.00	PLATE AD. INDI	2

010	01.12101.01	ADHESIVE PRESSURE 2.5/36/250	2
011	01.12105.01	ADHESIVE PRESSURE 4,5/66/450	2
012	09.12011.00	ADHESIVE	1

## 12. FINISHES STANDARD STICKER (2)

	1		6		7
	2			8	
	3			9	
	4			10	
	5				

FIGURE	REFERENCE	DENOMINATION	AMOUNT
001	14.00775.01	PLATE AD. INDI	2
002	02.00773.01	PLATE AD. INDI	1
003	02.00774.00	PLATE AD. INDI	1
004	43.01170.02	PLATE AD. INDI	1
005	43.01352.20	PLATE AD. INDI	1
006	02.00764.00	PLATE AD. INDI	1
007	02.00766.01	ADH. PLATE IND. 40x80, SPANISH	1
008	39.08242.01	ADHESIVE PLATE	1
009	55.00780.00	PLATE AD. INDI	1

010

01.00779.22

PLATE - CONTACT WITH AUSA

1



## 12. FINISHES STICKER FRANCE

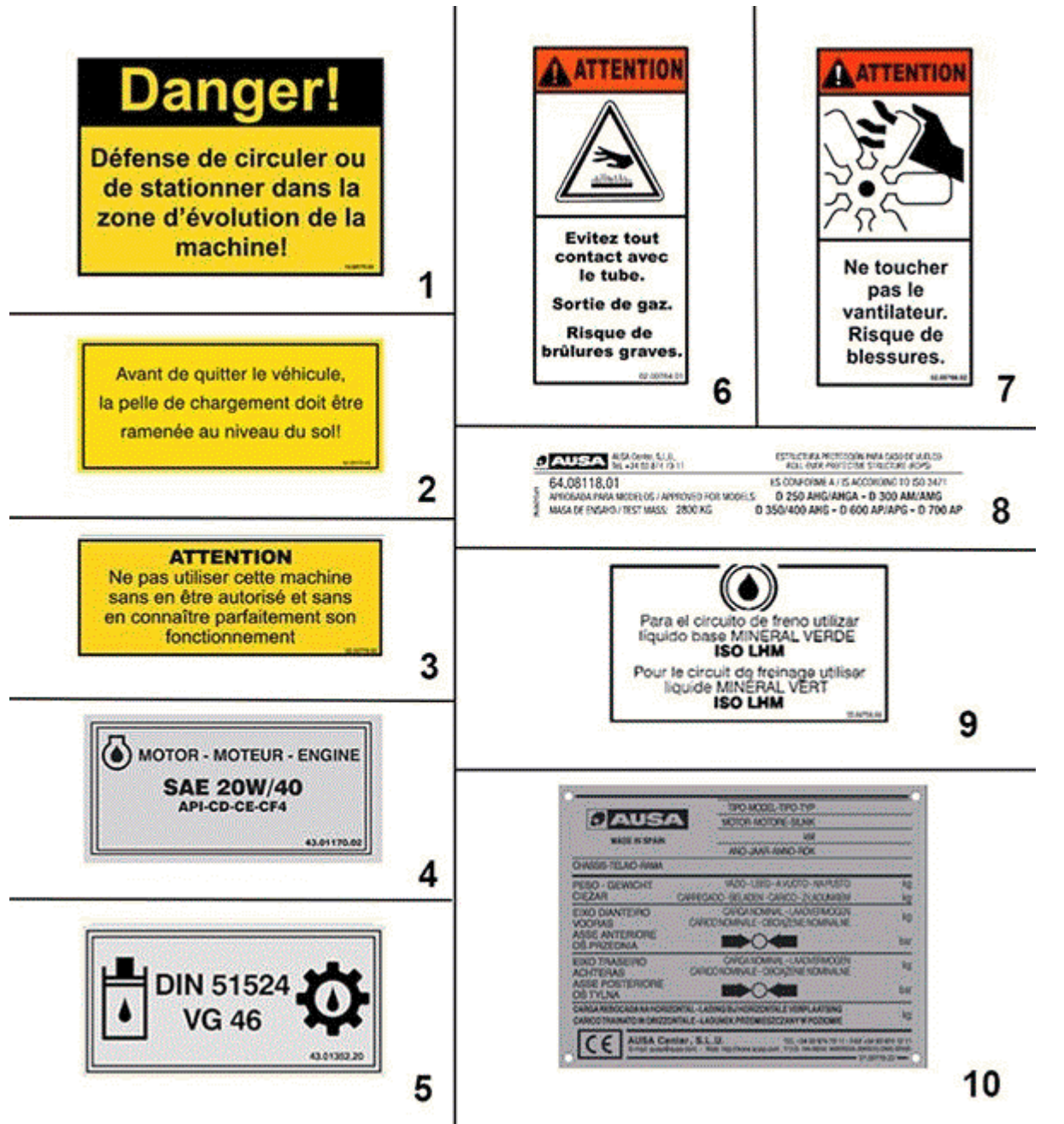


FIGURE	REFERENCE	DENOMINATION	AMOUNT
001	14.00775.02	PLATE AD. INDI	2
002	02.00775.02	ADHESIVE 180X80 FRENCH	1
003	02.00778.00	PLATE AD. INDI	1
004	43.01170.02	PLATE AD. INDI	1
005	43.01352.20	PLATE AD. INDI	1
006	02.00764.02	PLATE AD. INDI	1
007	02.00766.02	ADHESIVE 40X80 FRENCH	2
008	39.08242.01	ADHESIVE PLATE	1
009	55.00780.00	PLATE AD. INDI	1



010

01.00779.41

PLATE - CONTACT WITH AUSA

1

## 12. FINISHES STICKER ENGLAND

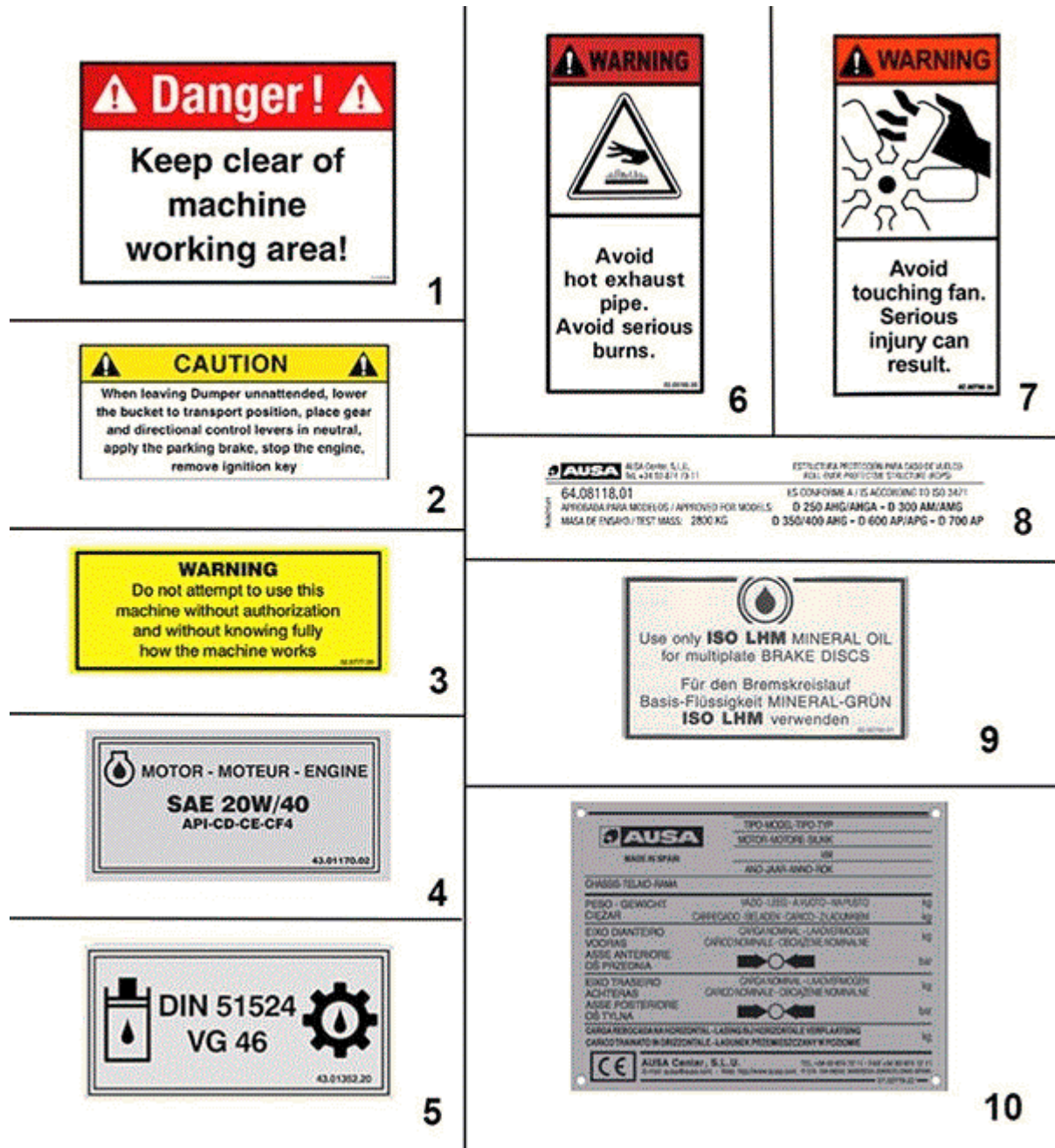


FIGURE	REFERENCE	DENOMINATION	AMOUNT
001	14.00775.03	PLATE AD. INDI	2
002	02.00773.03	PLATE AD. INDI. 80x180 ENG	1
003	02.00777.00	PLATE AD. INDI	1
004	43.01170.02	PLATE AD. INDI	1
005	43.01352.20	PLATE AD. INDI	1
006	02.00765.00	INDICATIVE STICKER 40x80 HOT PARTS	1
007	02.00766.00	INDICATIVE STICKER 40x80 USA DO NOT TOUCH	1
008	39.08242.01	ADHESIVE PLATE	1
009	55.00780.01	STICKER 60x100 BRAKE	1

010

01.00779.41

PLATE - CONTACT WITH AUSA

1



## 12. FINISHES GERMAN STICKERS

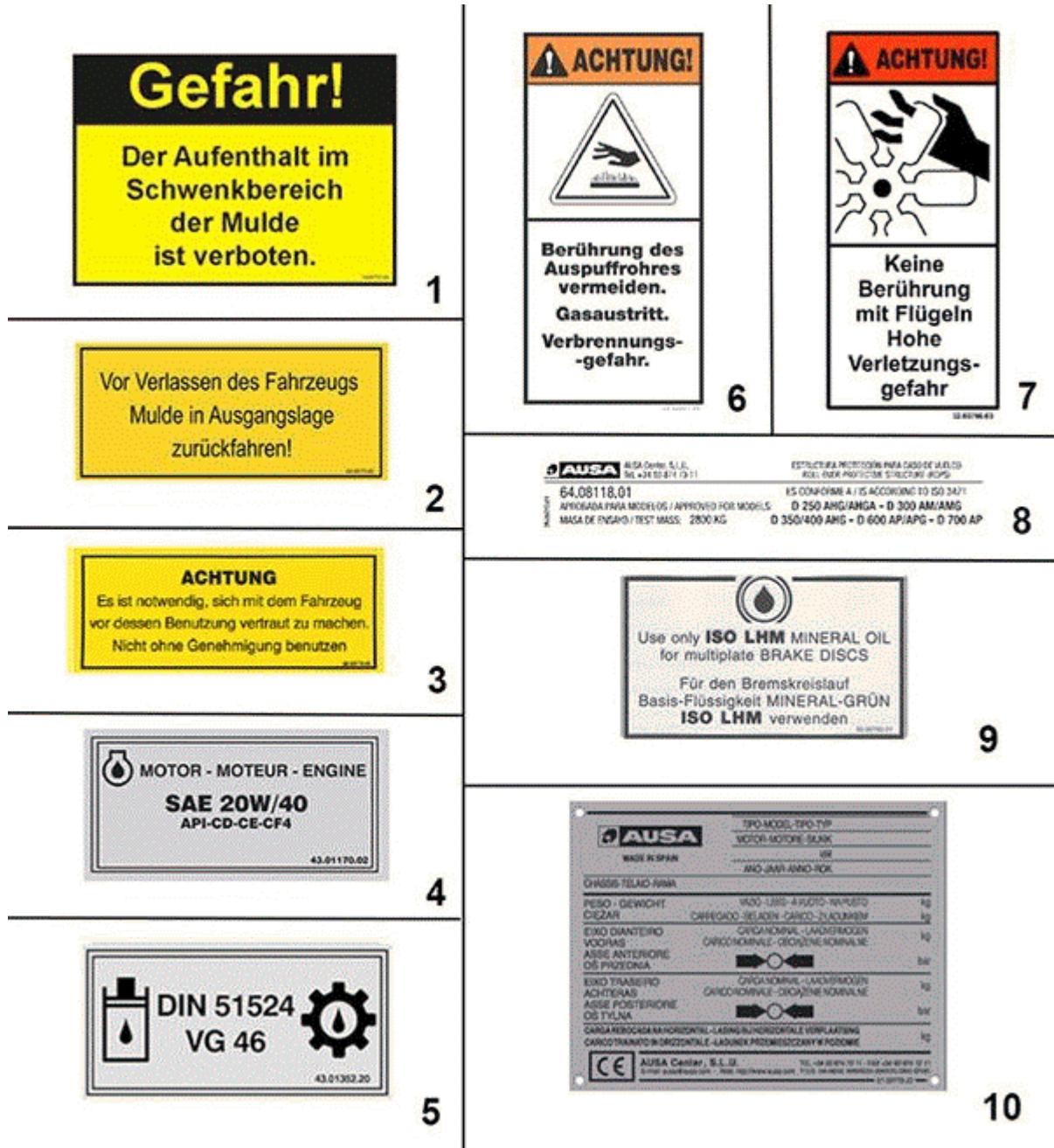


FIGURE	REFERENCE	DENOMINATION	AMOUNT
001	14.00775.00	PLATE AD. INDI	1
002	02.00773.00	PLATE AD. INDI ALEMAN	1
003	02.00779.02	PLATE AD. INDI	1
004	43.01170.02	PLATE AD. INDI	1
005	43.01352.20	PLATE AD. INDI	1
006	02.00764.02	PLATE AD. INDI	1
007	02.00766.03	ADHESIVE 40X80 GERMAN	1
008	39.08242.01	ADHESIVE PLATE	1
009	55.00780.01	STICKER 60x100 BRAKE	1



010

01.00779.41

PLATE - CONTACT WITH AUSA

1

### 13. ACCESSORIES DASHBOARD WITH OPTIONAL LIGHTING

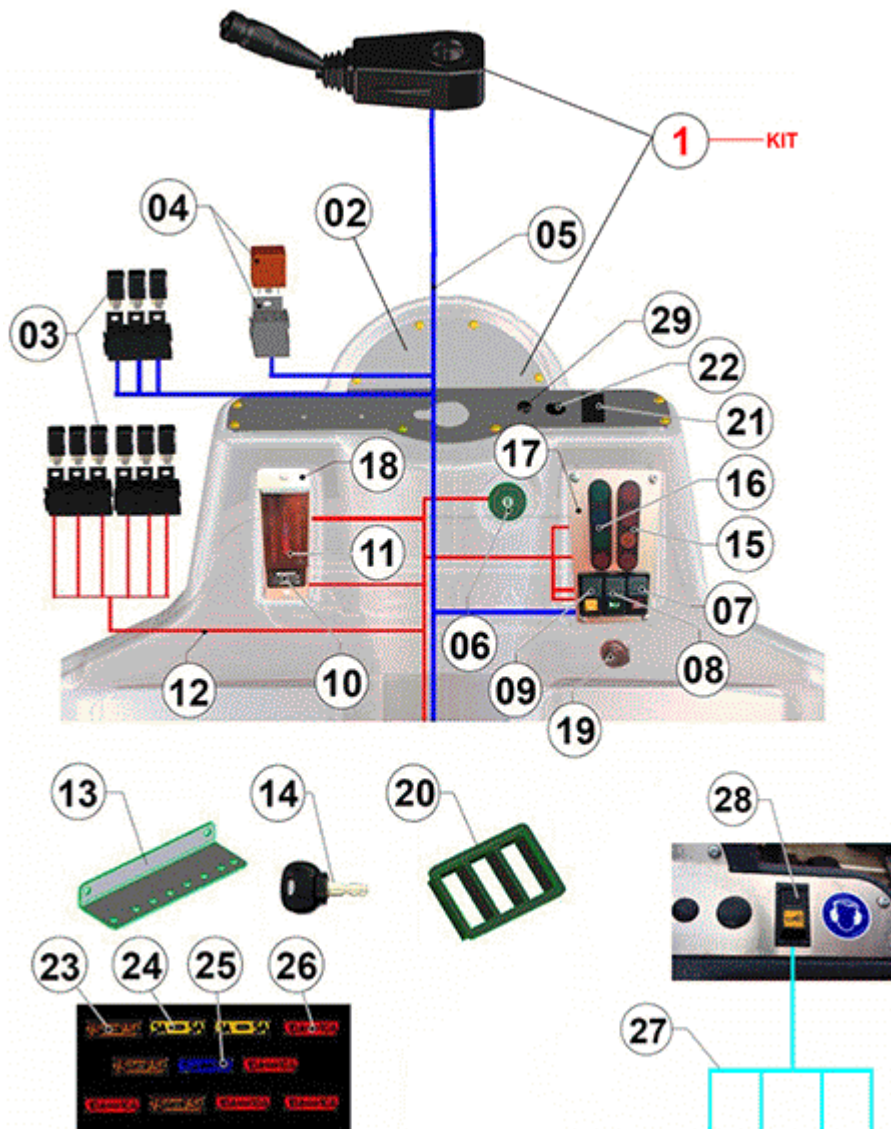


FIGURE	REFERENCE	DENOMINATION	AMOUNT
001	70.11323RE01	KIT OF / LIGHTS AHG C / DIGICODE	1
002	70.11010.03		1
003	IM.20026.03	MICRO RELAY WITH DIODE	10
004	IM.20025.00	INTERMITTENCE BOX	1
005	70.11315.00	WIRE HARNESS, LIGHTS PANEL	1
006	IM.20024.00	SWITCH	1
007	IM.20037.00	SWITCH, WARNING	1
008	70.11328.00	horn switch	1
009	70.11327.00	SWITCH ROTARY FARO	1
010	IM.20040.00	HOURMETER	1
011	IM.20022.00	FUSE BOX	1
012	63.11102.00	ELECTRIC WIRE CONTROL INSTRUMENT	1



013	70.11325.00	SUPPORT, DASHPANEL RELAYS	1
014	IM.20032.00	KEY	1
015	70.11335.00	INDICATOR, BATTERY ALARM	1
016	70.11336.00	INDICATOR, LIGHTS ALARM	1
017	70.11012.00	SUPPORT	1
018	70.11011.00	SUPPORT, FUSES PLATE	1
019	12.11033.00	HORN KPE650	1
020	12.11030.00	SOP. FIJACION INTERRUPTOR	1
021	12.11024.00	SWITCH CAP	1
023	43.50029.00	FUSIBLE 7.5A	1
024	43.50037.00	FUSE (5A)	2
025	43.50032.00	FUSE 15A	1
026	43.50030.00	FUSE 10A	1
027	64.11023.00	DISABLED ELECTRIC WIRE	1
028	64.11090.01	SWITCH AUDIBLE WARNING	1
029	02.32016.00	CAP	1

### 13. ACCESSORIES

#### DASHBOARD WITH OPTIONAL LIGHTING

CHASSIS: 77860

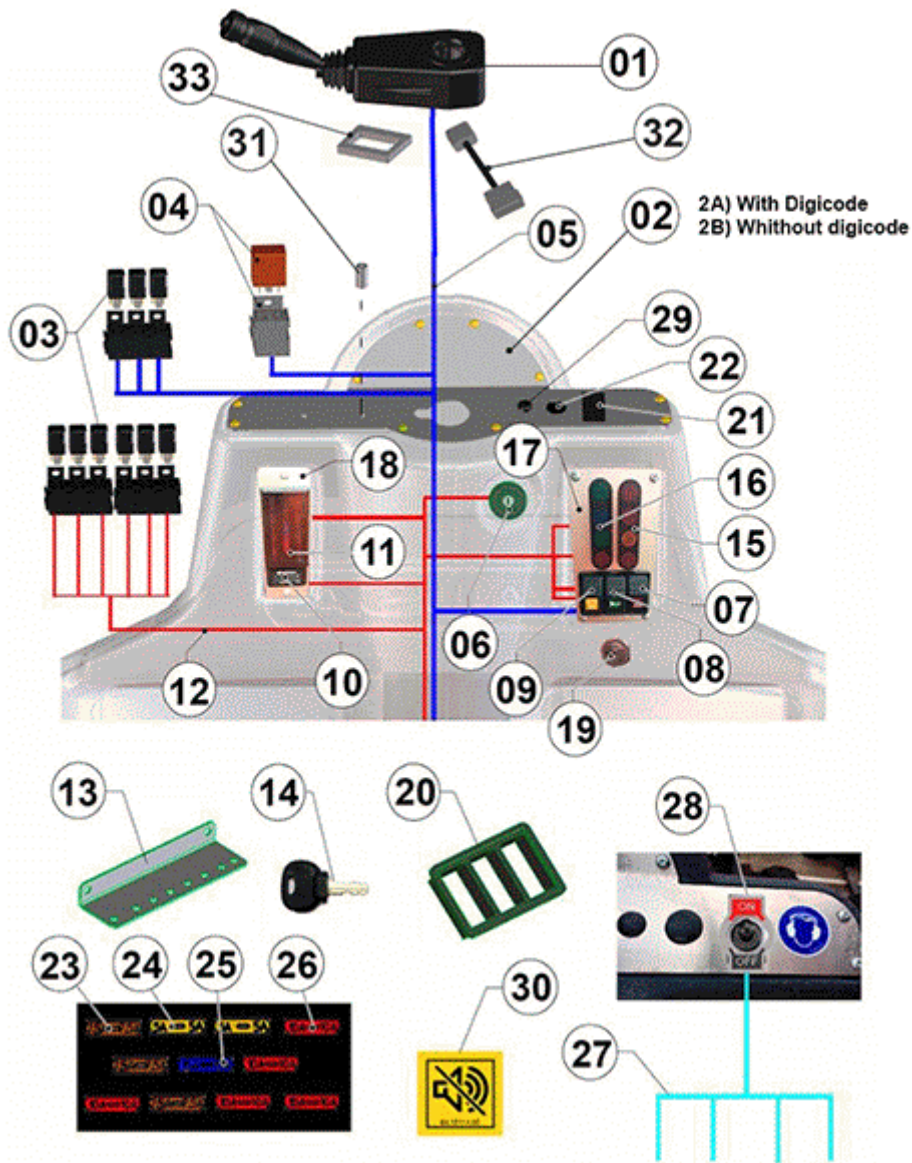


FIGURE	REFERENCE	DENOMINATION	AMOUNT
001	70.11323.01	LIGHTS LEVER SWITCH	1
002A	70.11015.01		1
002B	70.11010.03		1
003	IM.20026.03	MICRO RELAY WITH DIODE	4
004	IM.20025.00	INTERMITTENCE BOX	1
005	70.11315.00	WIRE HARNESS, LIGHTS PANEL	2
006	IM.20024.00	SWITCH	1
007	IM.20037.00	SWITCH, WARNING	1
008	70.11328.00	horn switch	1
009	70.11327.00	SWITCH ROTARY FARO	1
010	IM.20040.00	HOURMETER	1

011	IM.20022.00	FUSE BOX	1
012	70.11301.00	I/E PANEL AMA	1
013	70.11325.00	SUPPORT, DASHPANEL RELAYS	1
014	IM.20032.00	KEY	1
015	70.11335.00	INDICATOR, BATTERY ALARM	1
016	70.11336.00	INDICATOR, LIGHTS ALARM	1
017	70.11012.00	SUPPORT	1
018	70.11011.00	SUPPORT, FUSES PLATE	1
019	12.11030.00	SOP. FIJACION INTERRUPTOR	1
020	70.11340.00	DIODES CONNECTOR	1
021	12.11024.00	SWITCH CAP	1
023	43.50029.00	FUSIBLE 7.5A	1
024	43.50037.00	FUSE (5A)	2
025	43.50032.00	FUSE 15A	1
026	43.50030.00	FUSE 10A	1
027	64.11021.00	ELECTRIC WIRE	1
028	64.11020.00	SWITCH ON-OFF 1P IP67 10A	1
029	02.32016.00	CAP	1
030	64.12114.00	STIKER	1
031	70.11003.00	MAT. CIL. D15XD6X30	2
032	70.11343.00	SECTION I / E ADAPTER LEVER	1
033	70.11025.00	ADHESIVE FOAM SEALER	1

**COMMENTS**

---

MOD4782

### 13. ACCESSORIES SENSORS PROXIMITY

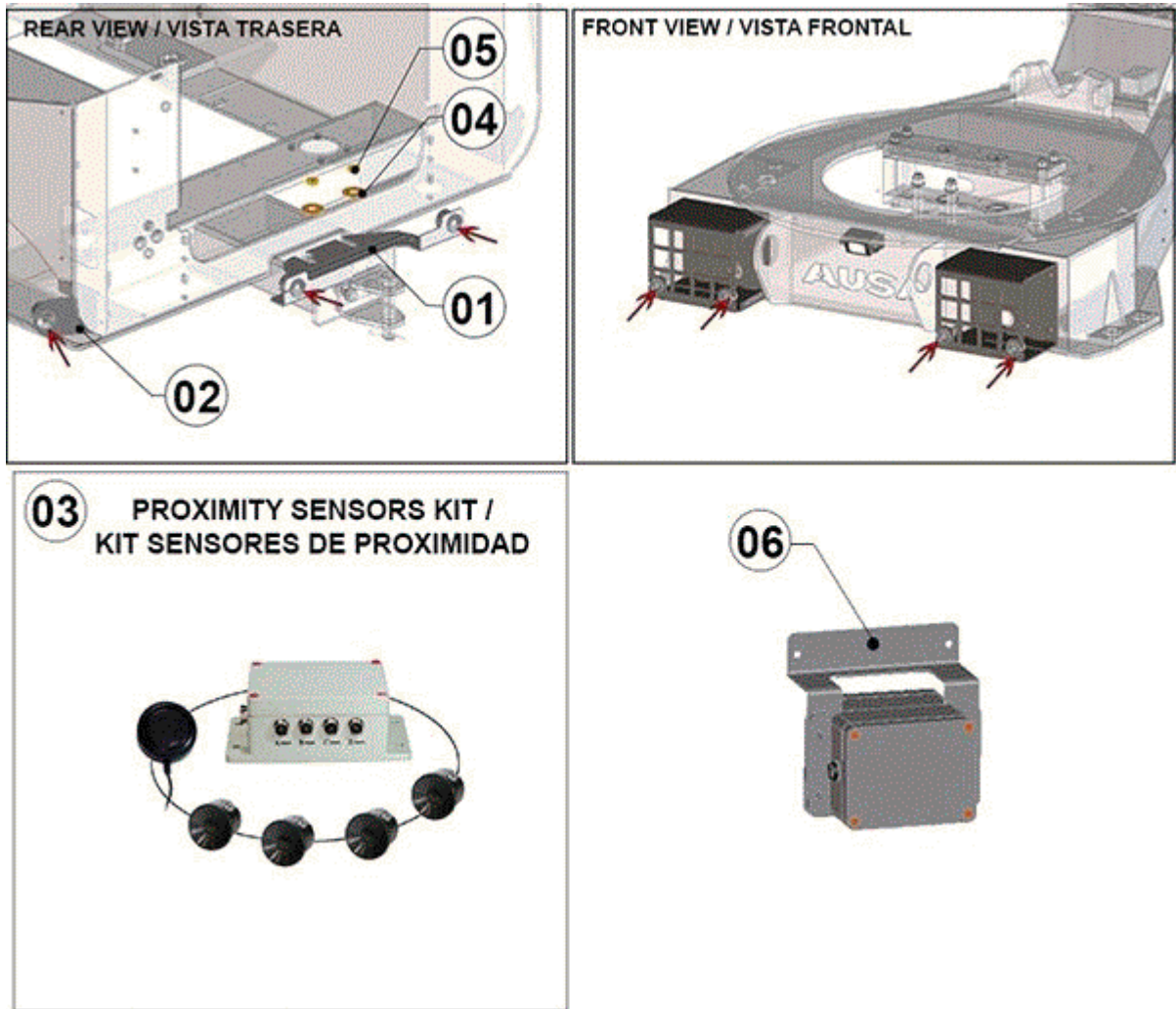


FIGURE	REFERENCE	DENOMINATION	AMOUNT
001	64.13102.00	SENSOR SUPPORT	1
002	64.13101.00	SENSOR SUPPORT	2
003	64.13001.00	PROXIMITY SENSORS KIT	1
004	112.14000.67	WASHER 15X45X3 DIN 9021	2
005	702.14000.66	NUT DIN936 M14x2	2
006	64.13103.00	SUPPORT	1

## 13. ACCESSORIES

### SENSORS PROXIMITY

CHASSIS: 83395

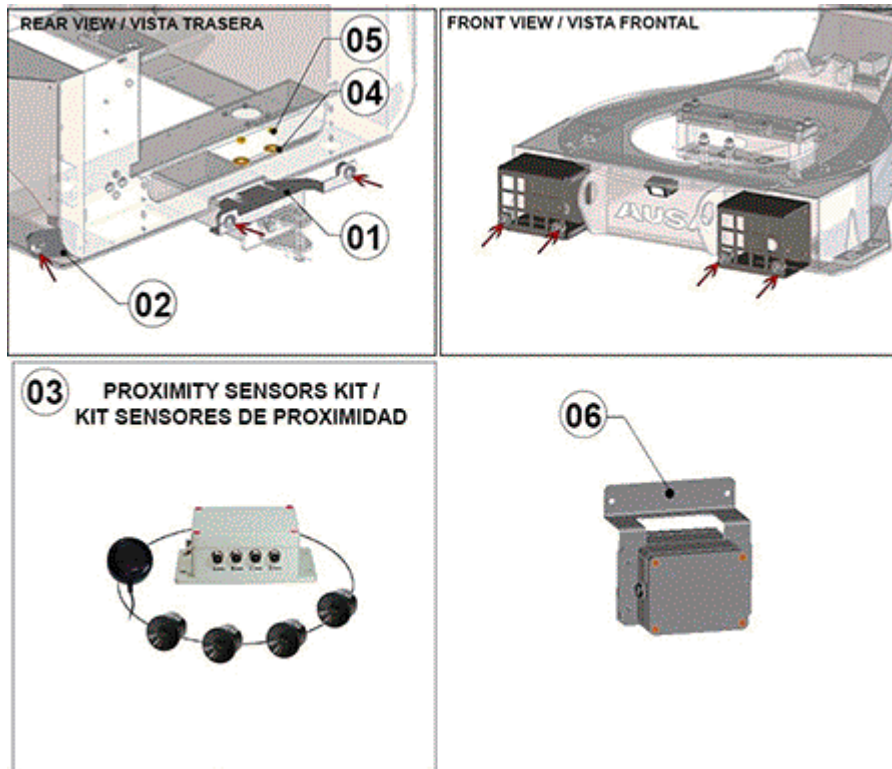


FIGURE	REFERENCE	DENOMINATION	AMOUNT
001	64.13102.00	SENSOR SUPPORT	1
002	64.13101.00	SENSOR SUPPORT	2
003	64.13001.01	PROXIMITY SENSORS KIT	1
004	112.14000.67	WASHER 15X45X3 DIN 9021	2
005	702.14000.66	NUT DIN936 M14x2	2
006	64.13103.00	SUPPORT	1

### 13. ACCESSORIES FVS

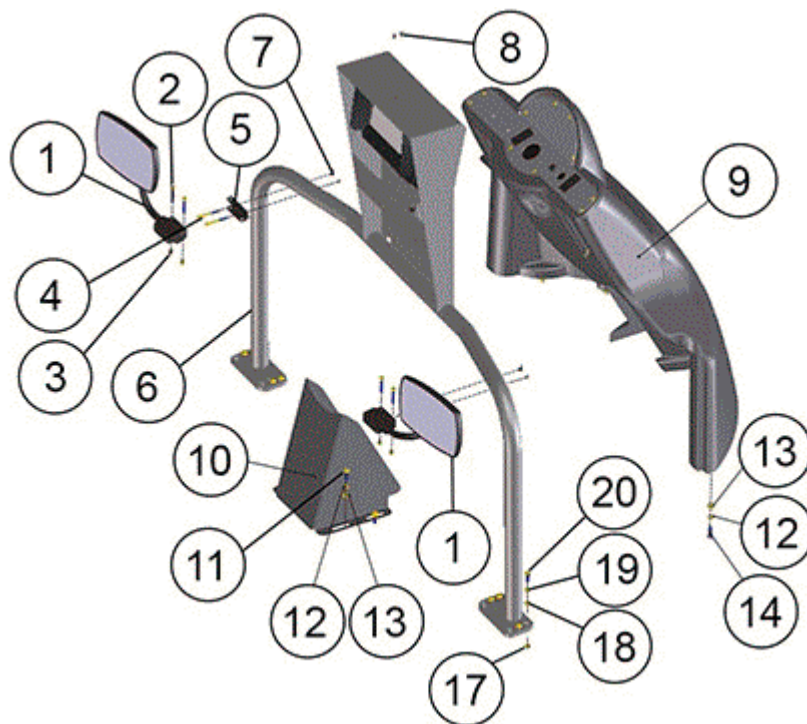


FIGURE	REFERENCE	DENOMINATION	AMOUNT
006	64.04448.01	FIXING SUPPORT DISPLAY UNIFICAD	1
008	48.08229.00	CAP PLASTIC	2

## 14. OPTION

### DRIVER SEAT

CHASSIS: 82278

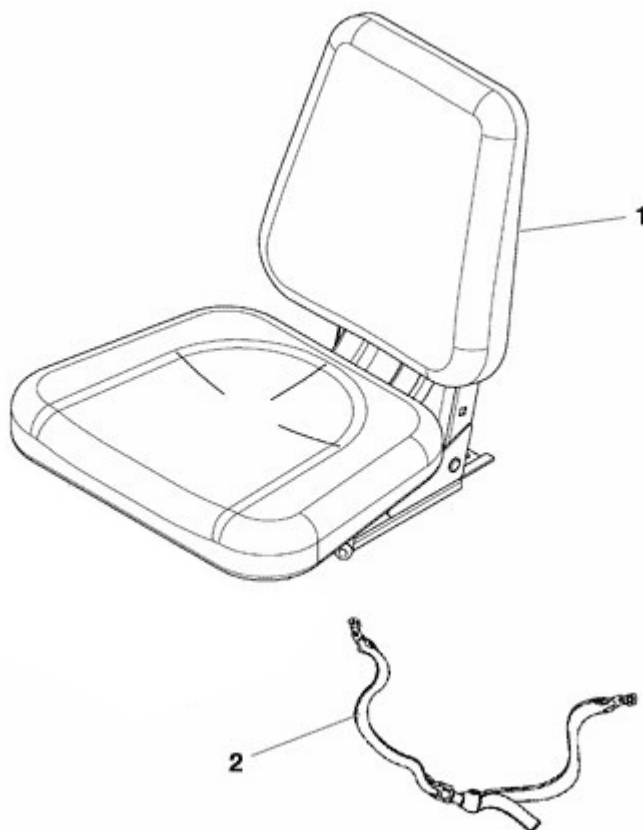


FIGURE	REFERENCE	DENOMINATION	AMOUNT
001	01.00706.08	DRIVER SEAT	1
002	45.60002.01	BELT	1



## INDEX

---

### 00. MAINTENANCE

Filters kit 2

### 02. ENGINE

MOTOR 3

Pump coupling 4

EXHAUST PIPE 5

AIR FILTER 6

Accelerator cable 7

Fuel tank 8

radiator 9

radiator - 82265 10

Expansion tank 11

engine supports 12

### 03. TRANSMISSION

FRONT AXLE (1) 13

FRONT AXLE (2) 14

FRONT AXLE (3) 15

FRONT AXLE (4) 17

FRONT AXLE (5) 18

FRONT AXLE (6) 19

REAR AXLE (1) 20

REAR AXLE (2) 21

REAR AXLE (3) 22

REAR AXLE (4) 23

REAR AXLE (5) 24

Cardan Joint 25

Hydrostatic engine - 84780 26

### 04. CHASSIS

Rear chassis 27

Front chassis 28

Front chassis - 82487 29

Articulation axle 30

### 05. BRAKE ACTIVATION

FOOT BRAKE 31

Handbrake	32
Handbrake - 76351	33
	34
<b>06. STEERING</b>	
Drive Pinion	35
Drive Pinion - 79164	36
Steering cylinder mounting	37
Hydraulic cylinders	38
<b>07. WHEELS</b>	
WHEELS	39
<b>08. BODYWORK</b>	
SHEETS (1)	40
SHEETS (1) - 76351	41
SHEETS (2)	42
ROPS arch	43
Protectors	44
Protectors - 82127	45
Protectors - 82556	46
Seat	47
Counterweight	48
Counterweight - 82487	49
<b>09. MACHINE FUNCTIONS IMPLEMENTS</b>	
HOPPER	50
Skip lifting ram	51
System turn	52
System turn - 80612	53
<b>10. HYDRAULIC INSTALLATION</b>	
Service diagram	54
Service diagram - 84780	55
Distributor	57
Distributor - 84169	58
Hydraulic tank	59
Oil tank	60
<b>11. ELECTRIC INSTALLATION</b>	
JOYSTICK	61

JOYSTICK - 85686	62
Rotating beacon	63
BUZZERS	64
BUZZERS - 80230	65
Battery	66
Lighting Panel	67
Lighting Panel - 71590	69
Lighting Panel - 73031	71
Lighting Panel - 77860	73
Lights	75
Lights - 78903	76
Lights - 82847	77
Number plate lamp	78
Taillights	79
Taillights - 82602	80
<b>12. FINISHES</b>	
STANDARD STICKER (1)	81
STANDARD STICKER (2)	82
STICKER FRANCE	83
STICKER ENGLAND	84
GERMAN STICKERS	85
<b>13. ACCESSORIES</b>	
DASHBOARD WITH OPTIONAL LIGHTING	86
DASHBOARD WITH OPTIONAL LIGHTING - 77860	87
SENSORS PROXIMITY	88
SENSORS PROXIMITY - 83395	89
FVS	90
<b>14. OPTION</b>	
DRIVER SEAT - 82278	91